



Internal Door Latch For Thin Door Panels

From
£103.97
Excl. Tax: £86.64

Product Images



Short Description

A brass interior door latch for slim door panels, available in a polished brass and a chrome plated finish.

Interior plywood doors or other very slim panel doors either require a rim latch or a solution like this mortice latch with covering plates. This lock solution is designed for door panels that are either 12mm or 15mm thick. A cut-out is made in the door panel in which sits the lock body. The lock and its cut-out is then covered by a pair of plates in polished brass or chrome plated brass, dressing the panel. Please note that the lock is

handed, please visit the lock handing diagram below in order to help correctly identify the handing required.
Set supplied complete with striker plates, escutcheon plates and fastening screws. Suitable for internal doors.
Chrome locks are supplied with stainless steel escutcheon plates.

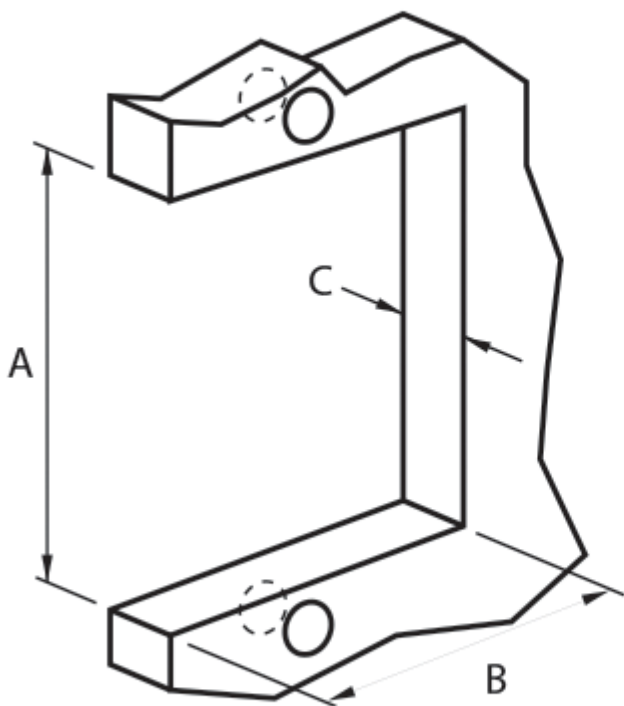
Overall Dimensions - 133L x 70D mm

Case Dimensions - 95L x 58D mm

Face Plate Dimensions - 133L x 15W mm

Description

Installation Requirements



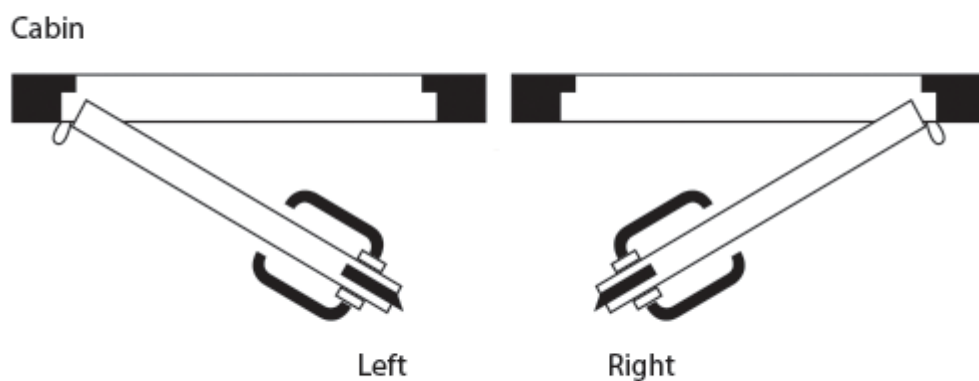
ART.4019

A - 95 mm

B - 58 mm

C - 12 or 15 mm

Lock Handing



Additional Information

Length (mm)	133.00
Width (mm)	70.00
Lock Type	Mortise Lock
Spindle (mm)	8
Latch Length (mm)	95.00
Latch Width (mm)	58.00
Face Plate Width (mm)	15.00
Face Plate Length (mm)	133.00
Manufacturer	Razeto & Casareto
Weight (kg)	0.470000

Product Options

Finish:	Chrome
	Brass
Handing:	Left
	Right
Version:	12mm Door Thickness
	15mm Door Thickness

