



Internal Door Latch

From
£89.11

Excl. Tax: £74.26

Product Images



Short Description

A pressure die cast brass reversible internal door latch, available in a polished brass and a chrome plated finish.

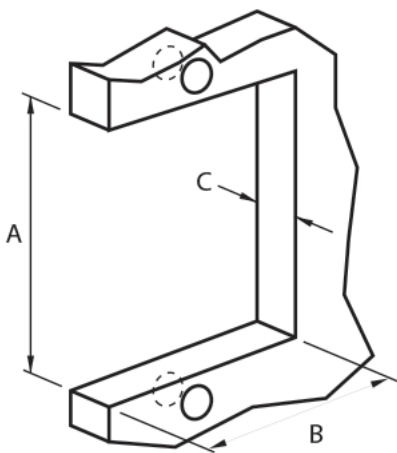
Overall Dimensions - 80L x 70D mm

Case Dimensions - 42L x 58D mm

Face Plate Dimensions - 80L x 15W mm

Set supplied complete with striker plates, handles, escutcheon plates and fastening screws. Suitable for internal doors. Chrome locks are supplied with stainless steel esutcheon plates.

Description



ART.4020

A - 44 mm

B - 58 mm

C - 12 or 15 mm

Additional Information

Manufacturer	Razeto & Casareto
Weight (kg)	0.390000

Product Options

Finish:	Chrome
	Brass
Version:	12mm Door Thickness
	15mm Door Thickness

