

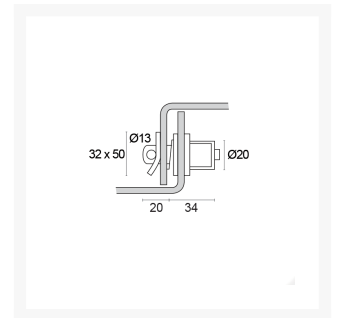


Hatch Locking Device

£22.51

Excl. Tax: **£18.76**

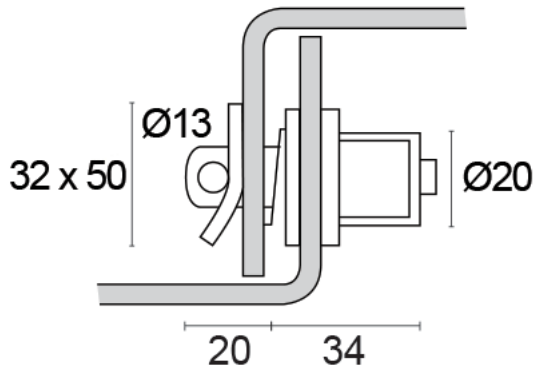
Product Images



Short Description

Stainless steel spring loaded hatch locking device.

Description



Additional Information

| | |
|--------------|-------------------|
| Weight (kg) | 0.107000 |
| Manufacturer | Razeto & Casareto |

