



# Rim Lock

From

**£100.22**

Excl. Tax: £83.52

## Product Images



## Short Description

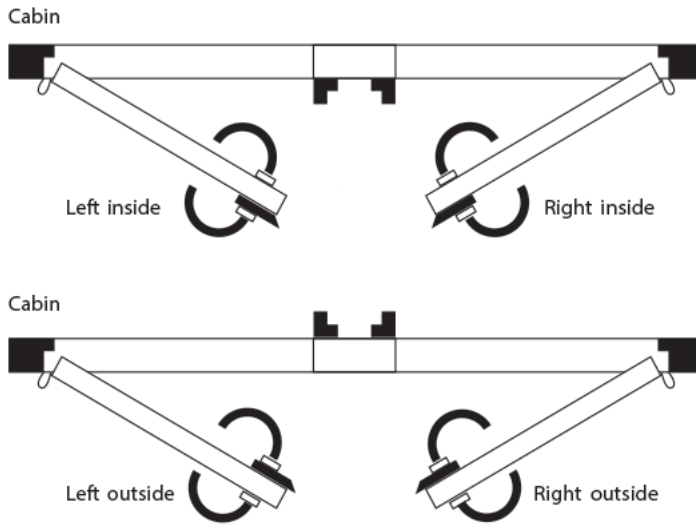
A pressure die cast brass rim lock, available in a polished brass and a chrome plated finish. Striker plate and 2 keys supplied with each lock. Suitable for a maximum door thickness of 25mm.

This rim lock is sold together with a flat striker plate, a box striker is available separately (code: [4069](#))

Left outside can convert to right inside - left inside can convert to right outside.

## Description

---



## Additional Information

---

Lock Type	Rim Lock
Spindle (mm)	8
Latch Length (mm)	46
Latch Height (mm)	112
Latch Width (mm)	15
Lock Backset (mm)	25.00
Max. Panel Thickness (mm)	32.00
Manufacturer	Razeto & Casareto
Weight (kg)	0.300000

# Product Options

---

Finish:	Chrome
	Brass
Handing:	Right Inside
	Right Outside
	Left Inside
	Left Outside

