

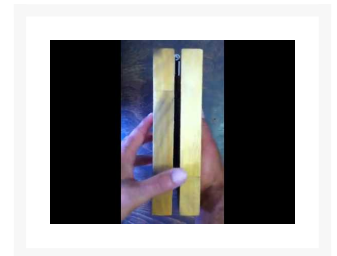
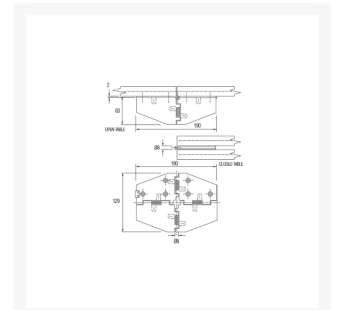


# Spring Loaded Table Flap Hinge - Stainless Steel

**£132.24**

Excl. Tax: £110.20

## Product Images



## Short Description

**Made from 316 grade stainless steel (A4).**

This table hinge provides a quick and effective method of supporting table leaves when opened.

The spring loaded action automatically supports the leaf firmly without the need for additional aids, and also retains the leaf in closed position.

## Additional Information

---

Length (mm)	190
Width (mm)	129
Finish	316 Stainless Steel
Manufacturer	Razeto & Casareto
Weight (kg)	0.210000

