



Nautilus Knob and Ferrule

From

£17.80

Excl. Tax: £14.83

Product Images



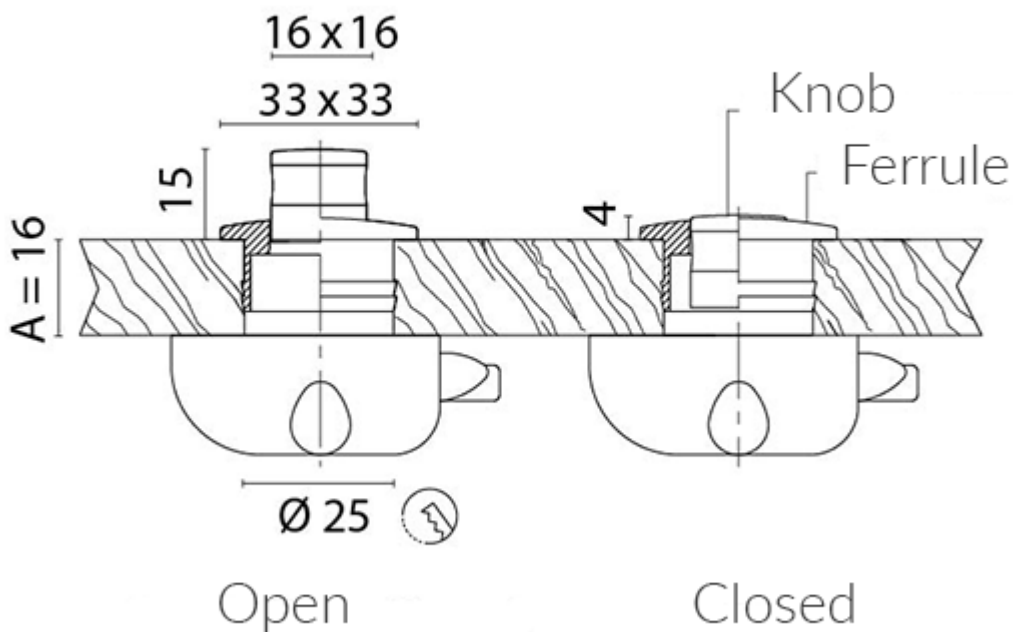
Short Description

The Nautilus knob and ferrule is made from solid brass and then chrome plated. It is compatible with a range of push button mechanisms, except 309400 and 309411.

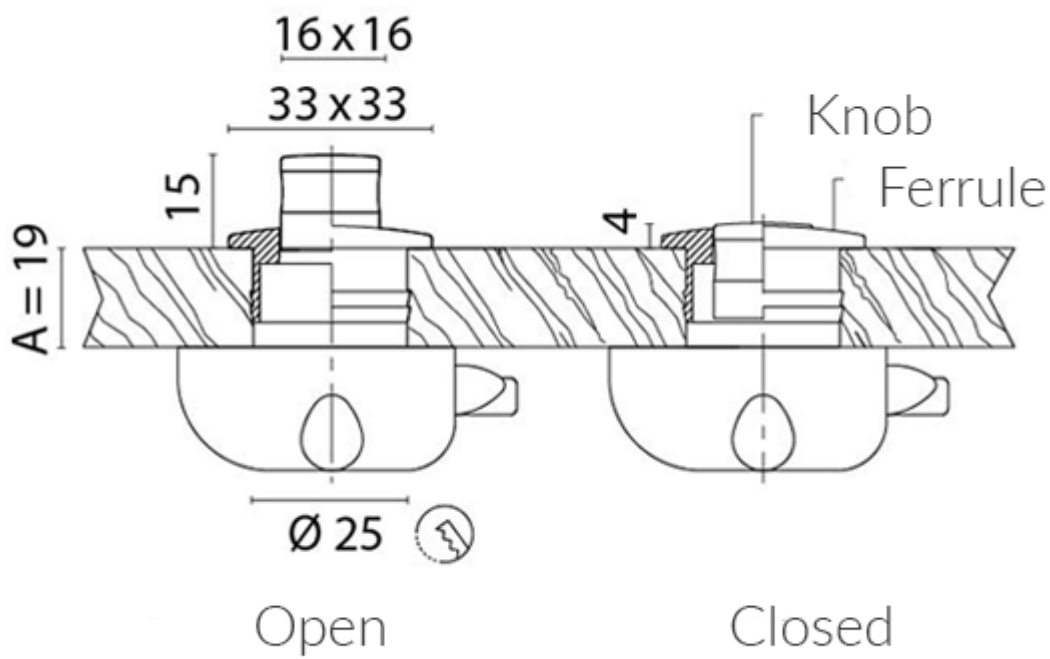
Polished brass, bi-colour, and other finishes available on request. A minimum order quantity may apply.

Description

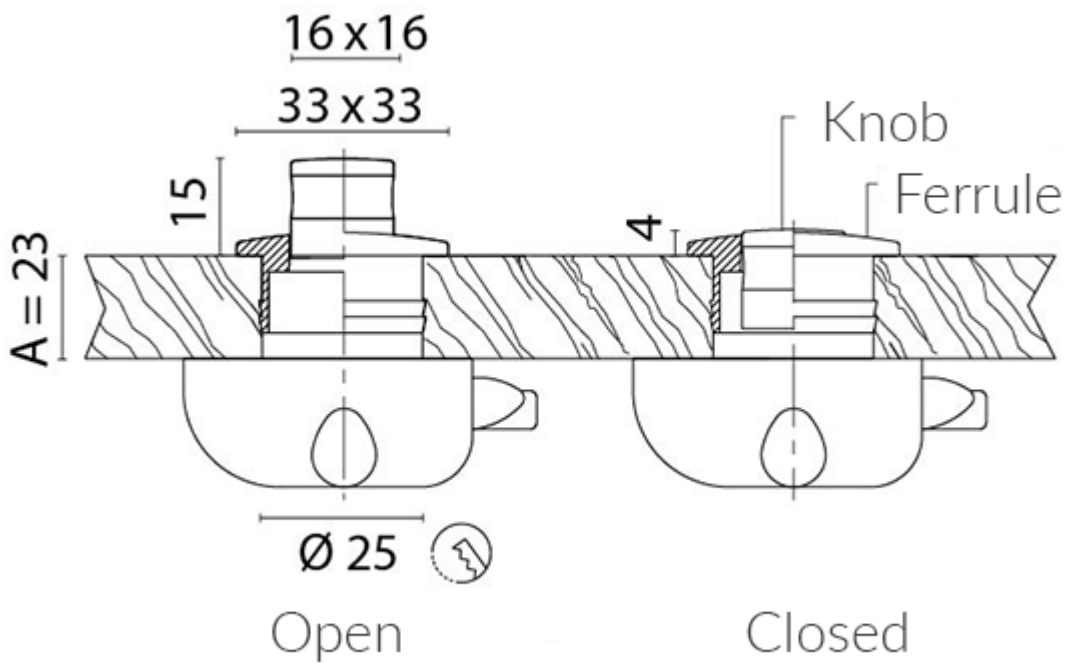
43500C



43600C



43700C



Additional Information

Base Height (mm)	33
Base Width (mm)	33
Protrusion (mm)	15
Handle Width (mm)	16
Finish	Chrome
Manufacturer	Foresti & Suardi
Weight (kg)	0.050000

Product Options

Size:	Max. Panel Thickness 16.00mm
	Max. Panel Thickness 19.00mm
	Max. Panel Thickness 23.00mm

