



# Knob and Ferrule

From

**£20.60**

Excl. Tax: **£17.17**

## Product Images

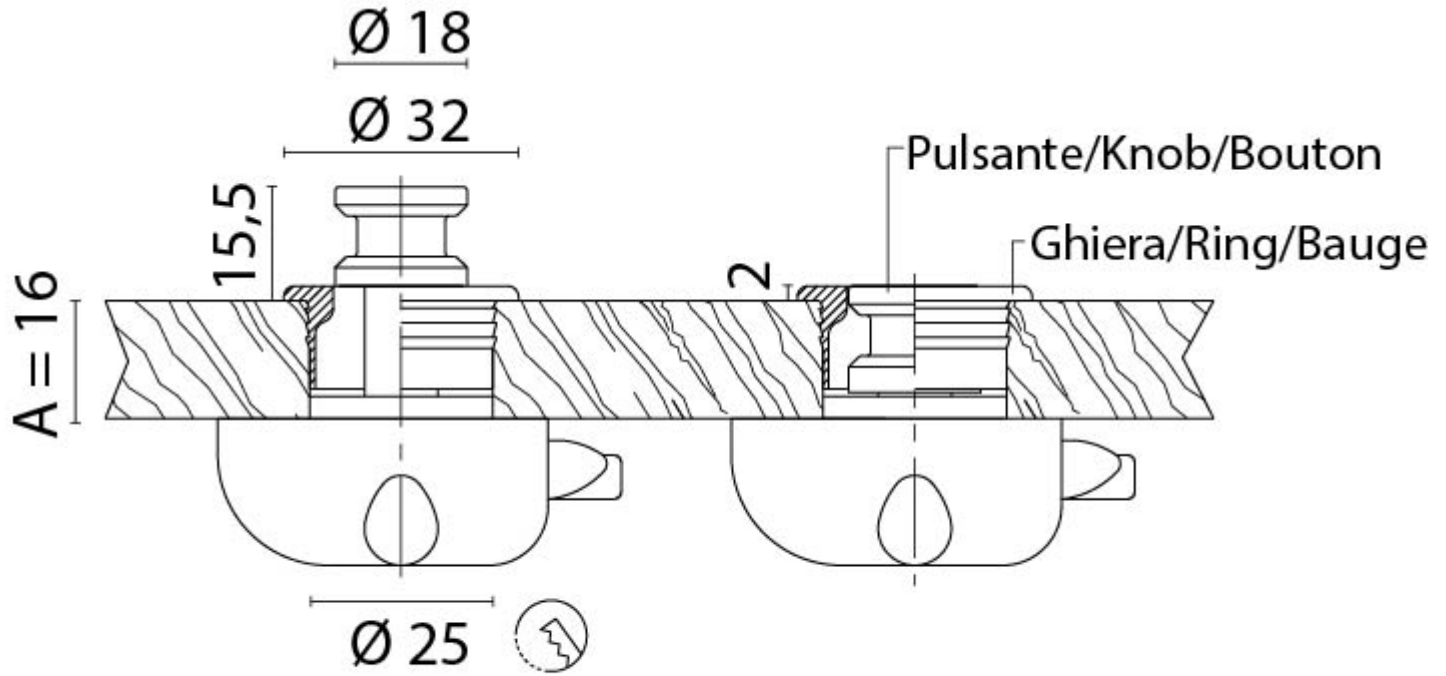


## Short Description

A solid brass push button in a chrome plated finish. This knob and ferrule is compatible with a range of push button mechanisms (excluding 309400 / 309411) and is suitable for door thickness up to 23mm.

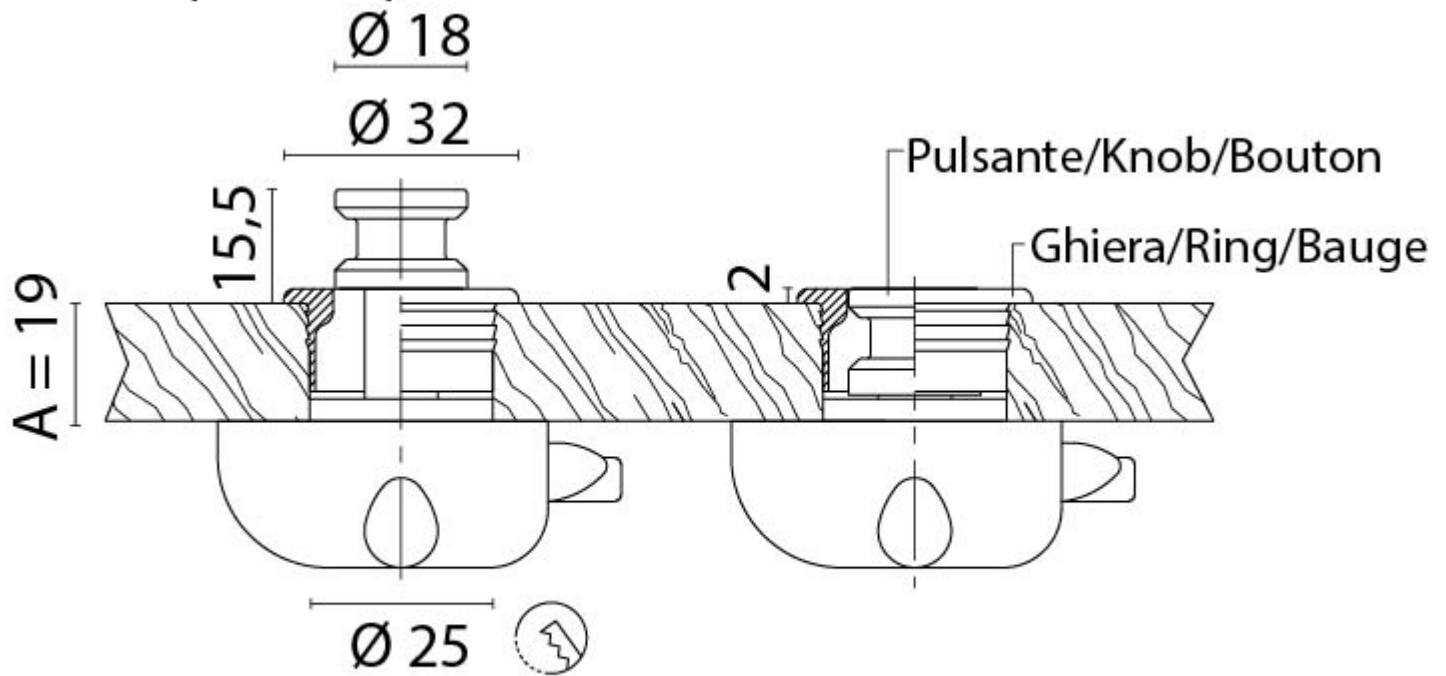
Polished brass, bi-colour and satin chrome finishes are available on request but a minimum order quantity will apply.

# Dimensions



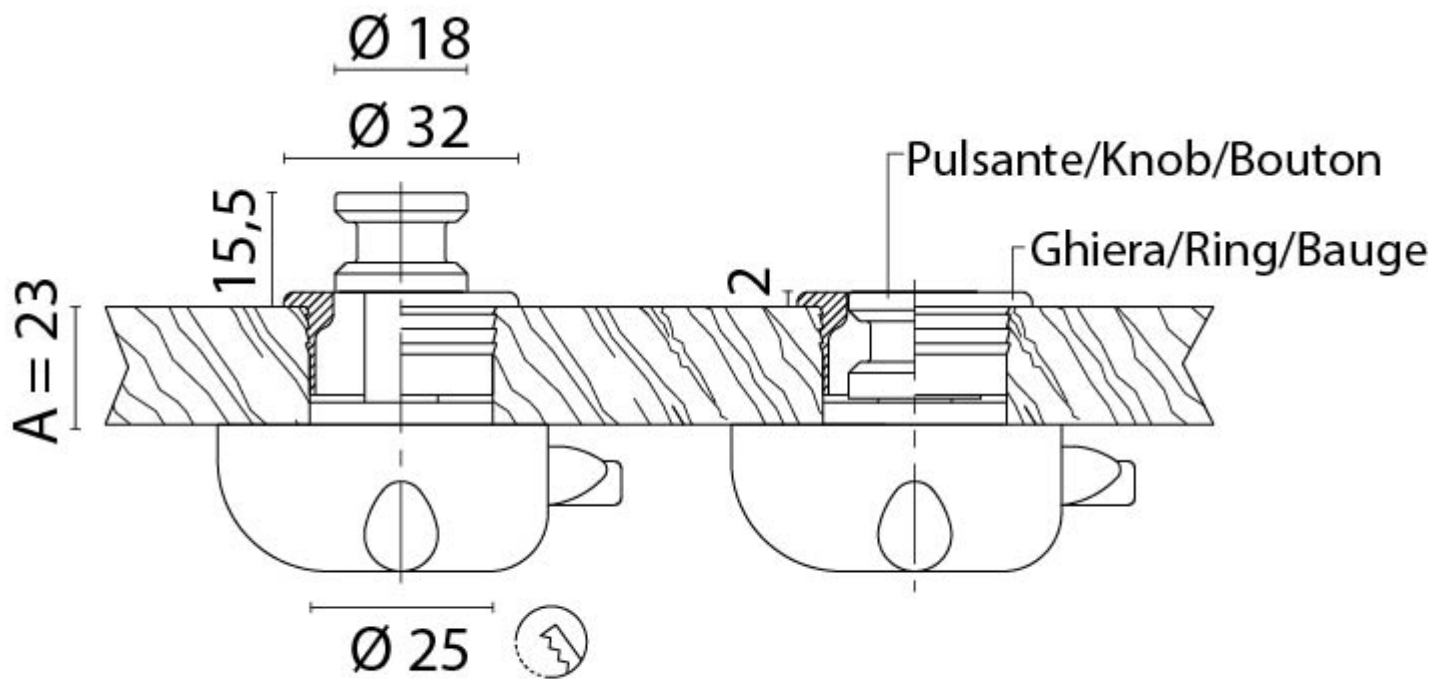
Aperto/Open/Ouvert

Chiuso/Closed/Fermè



Aperto/Open/Ouvert

Chiuso/Closed/Fermè



Aperto/Open/Ouvert    Chiuso/Closed/Fermè

## Additional Information

Base Width (mm)	32
Protrusion (mm)	15.5
Handle Width (mm)	18
Finish	Chrome
Manufacturer	Foresti & Suardi
Weight (kg)	0.050000

## Product Options

Size:	Max. Panel Thickness 16.00mm
	Max. Panel Thickness 19.00mm
	Max. Panel Thickness 23.00mm

