



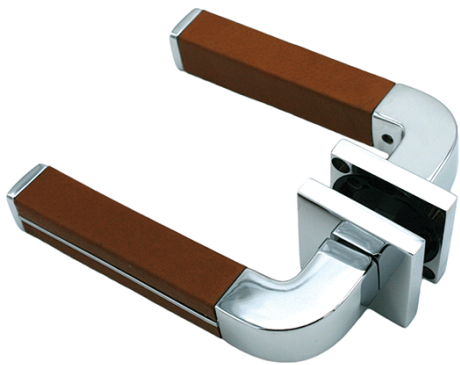
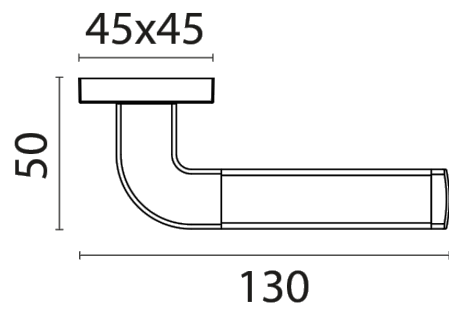
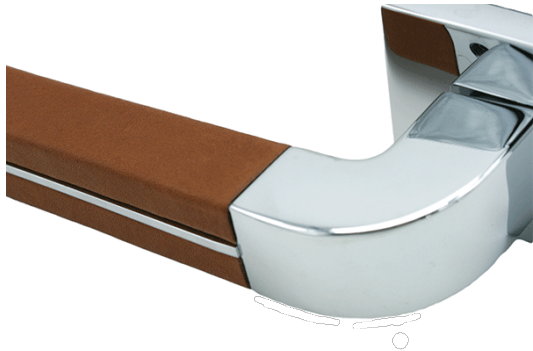
Leather Wrapped Door Handle

From
£215.72

Excl. Tax: £179.77

Product Images





Short Description

Pair of solid brass door handles complete with roses and spindle.

- Suitable for a maximum door thickness of 42mm.
- Supplied complete with a nylon spring loaded securing rose for self-righting of handles.
- Chrome plated.
- Handles feature concealed fixings.
- Available in tan, brown or black leather as standard.

Other leather available on request, a minimum order quantity may apply.

Additional Information

Base Height (mm)	45
Base Width (mm)	45
Spindle (mm)	8
Spindle Length (mm)	80
Protrusion (mm)	50
Handle Length (mm)	130
Manufacturer	Foresti & Suardi
Weight (kg)	0.700000

Product Options

Finish:	Chrome With Black Leather
	Chrome With Brown Leather
	Chrome With Tan Leather

