



# TT2-M Electric Twin Air Horn

From  
**£97.82**

Excl. Tax: £81.52

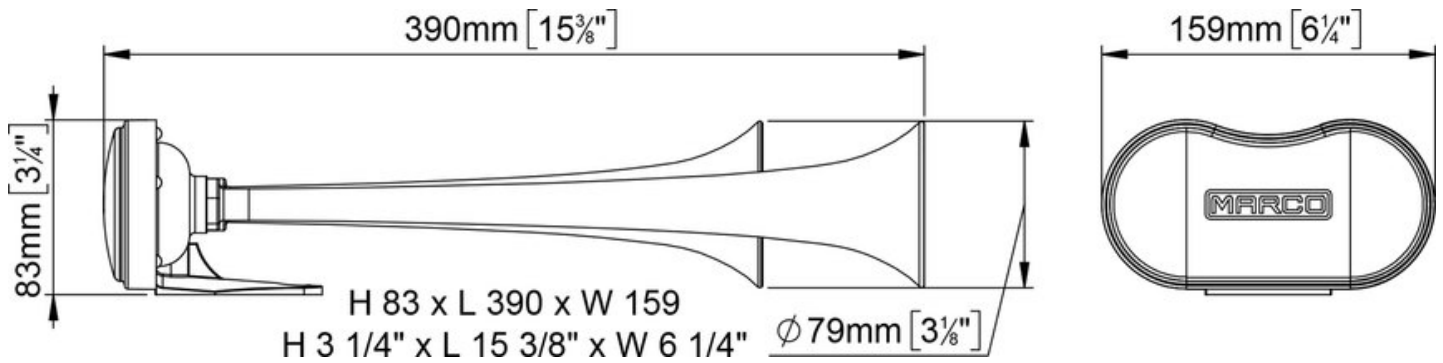
## Product Images



## Short Description

Twin tone air horn with plastic chromed trumpets, complete with electric compressor and fixing hardware.

## Description



## Additional Information

Finish	Chrome
Power Consumption	3 Amps
Horn Type	Electric Air Horn
dB (1/3 OCT. 1M)	111
Hz	326/412
Weight (kg)	1.253000
Manufacturer	Marco

## Product Options

Input Voltage:	12Vdc
	24Vdc

