



# HR1 Integrated Electropneumatic Horn

From

**£63.70**

Excl. Tax: £53.08

## Product Images

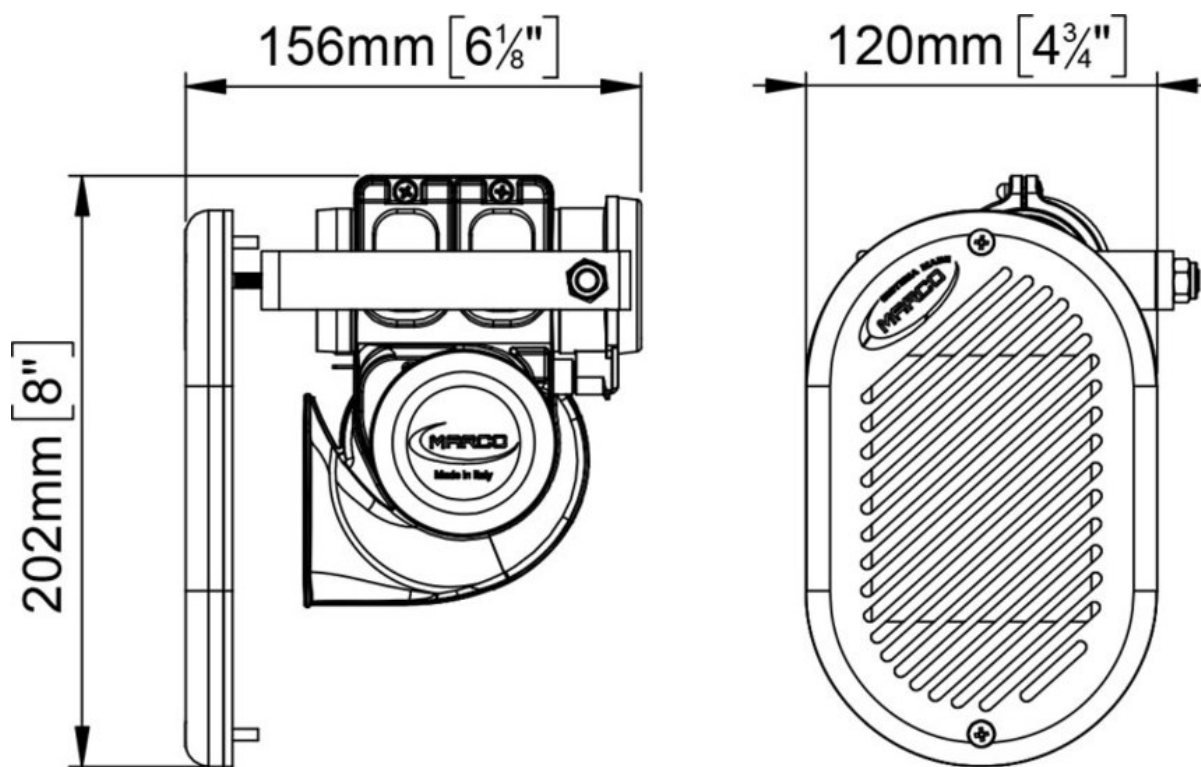


## Short Description

Electropneumatic horn and integrated compressor in a chrome or white finish. No air hosing required, quick installation. Suitable for vessels under 12m. NMMA type approval

## Description

---



H 202 x L 156 x W 120  
H 8" x L 6 1/8" x W 4 3/4"

## Additional Information

---

Horn Type	Electric Air Horn
dB (1/3 OCT. 1M)	120
Hz	300
Weight (kg)	1.027000
Manufacturer	Marco

## Product Options

---

Finish:	Chrome
	White
Input Voltage:	12Vdc
	24Vdc

