



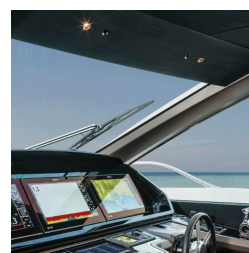
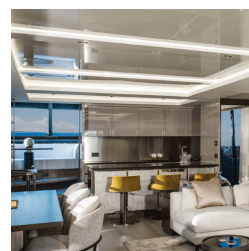
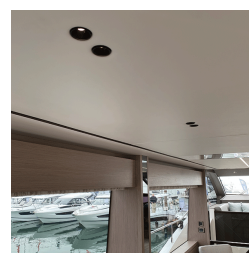
Plutone TRM Spotlight

From

£128.22

Excl. Tax: £106.85

Product Images



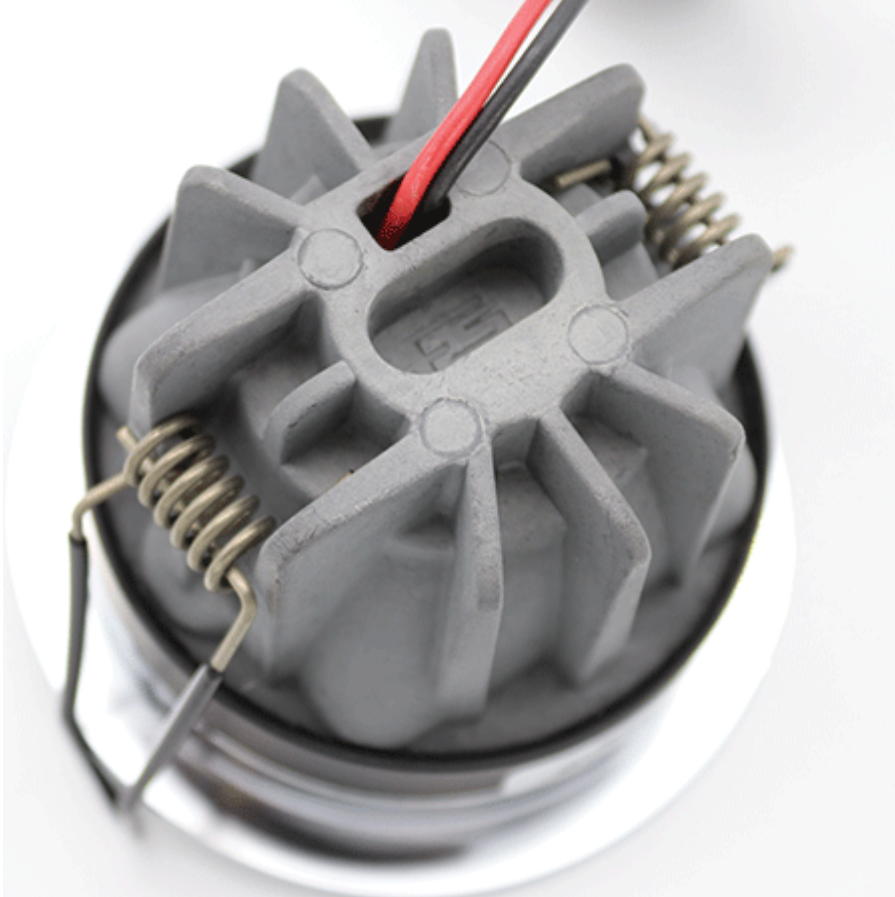


Short Description

The Plutone spotlight range contains some of our most advanced LED technology. The Plutone TRM is a powerful fitting featuring a 6.5 watt LED module. The Nichia™ LED chip produces a very high quality LED output with an average colour rendering index of 95. The spotlight is waterproof from both the front and rear and is available in various lens angles and colour temperatures. The TRG model features an innovative FS SYSTEM fixing method which allows the product to be installed from the front of the panel and not the rear like many spotlights of this kind. A simple key can be used to remove the product from the front for easy maintenance.

- Interior & exterior spotlight with flange-less design
- Excellent anti-glare properties with recessed LED source
- Galvanised brass face, black painted
- Custom finishes available on request
- Tempered glass lens
- Anodised aluminium heatsink
- Multiple lens angles available
- FS SYSTEM fixing method - no need to prefit to ceiling panels
- Available in numerous white colour temperatures as well as red
- CRI>90

Description



Heat Dissipation

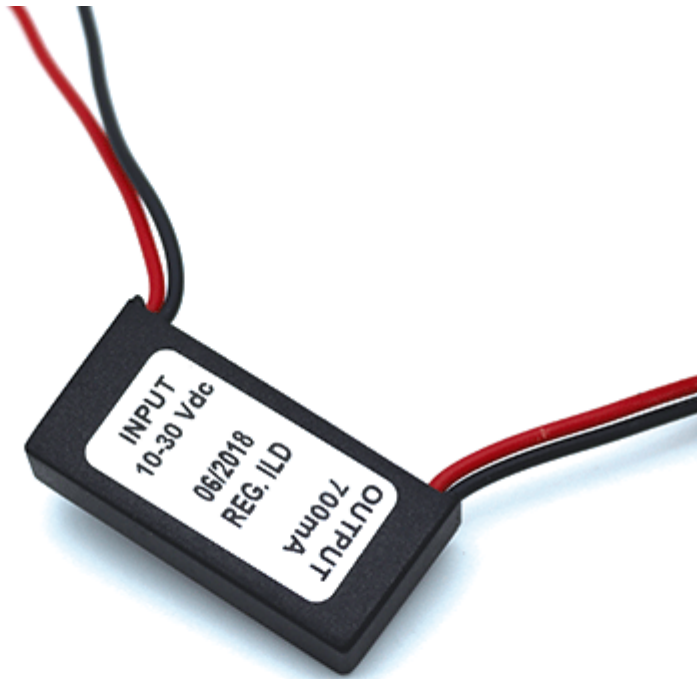
Heat dissipation is key to the performance and longevity of LED lighting. Our Power LED modules have been carefully designed to ensure that the heat is taken away from the LED chips and dissipated through the incorporated heat sink designed into the product housing.

Circuit board temperatures are closely monitored during the development phase of each product and appropriate heat dissipation can then be accurately calculated to ensure that product will continue to perform for many years

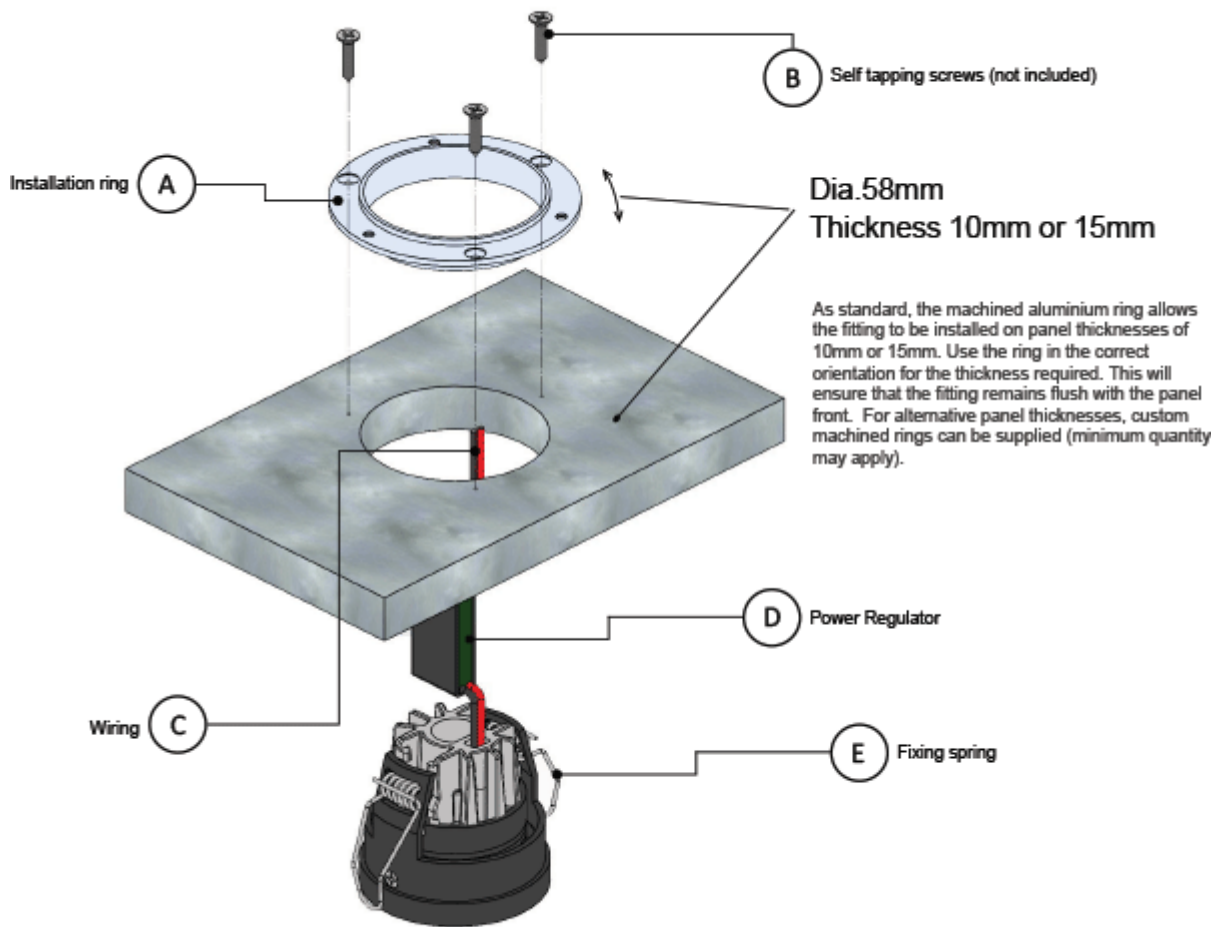
Power Regulator

The 10-30Vdc power regulator is always a remote item on the power cable of the fitting. This offers numerous advantages over alternative methods used by competitor brands. Keeping the power regulator separate reduces heat build-up on the LED circuit board and therefore increases performance and longevity of the LEDs.

Remote regulators can also be easily removed so that the product can be powered directly with the correct amperage, very useful for integration in some mains voltage applications.



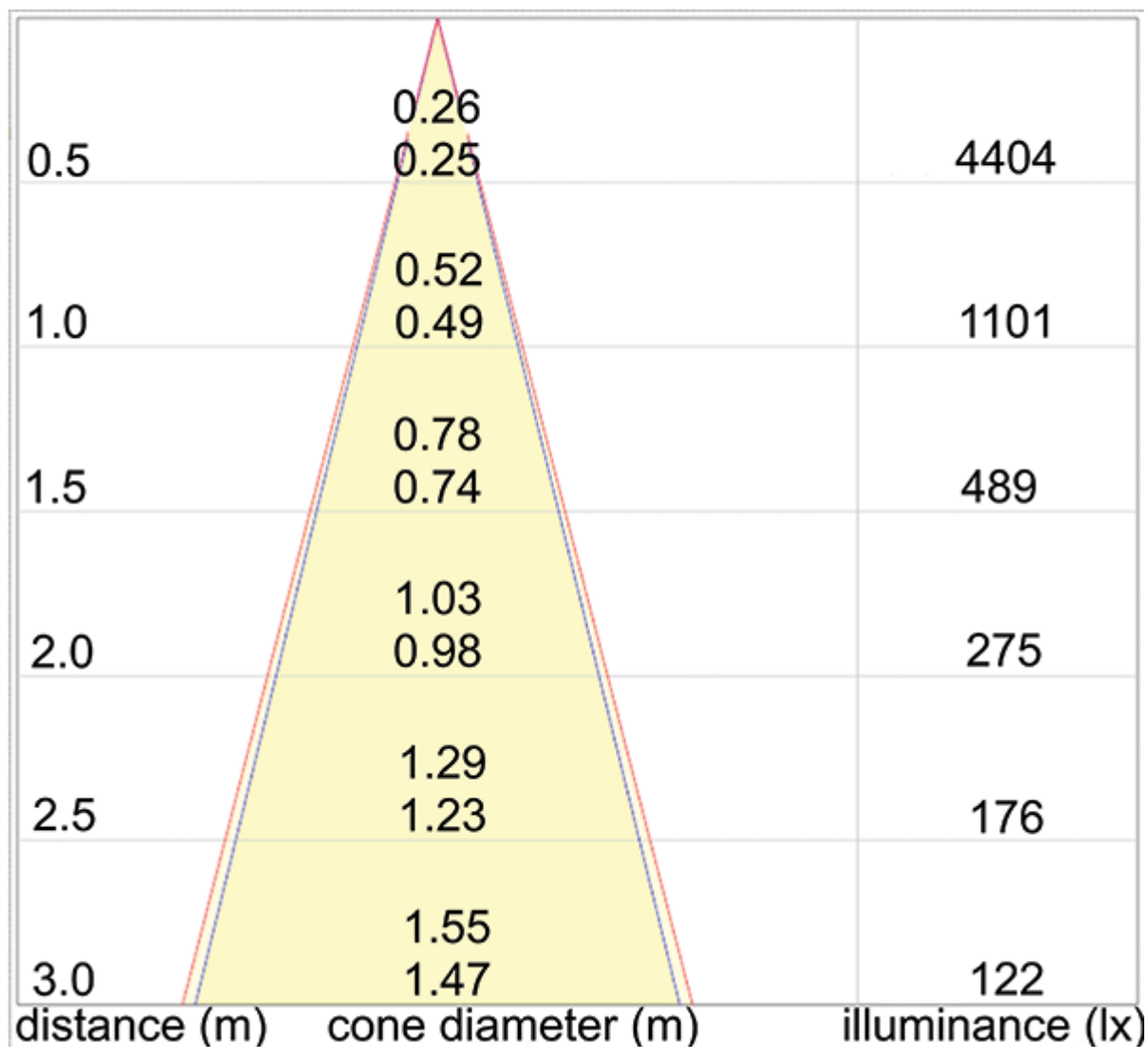




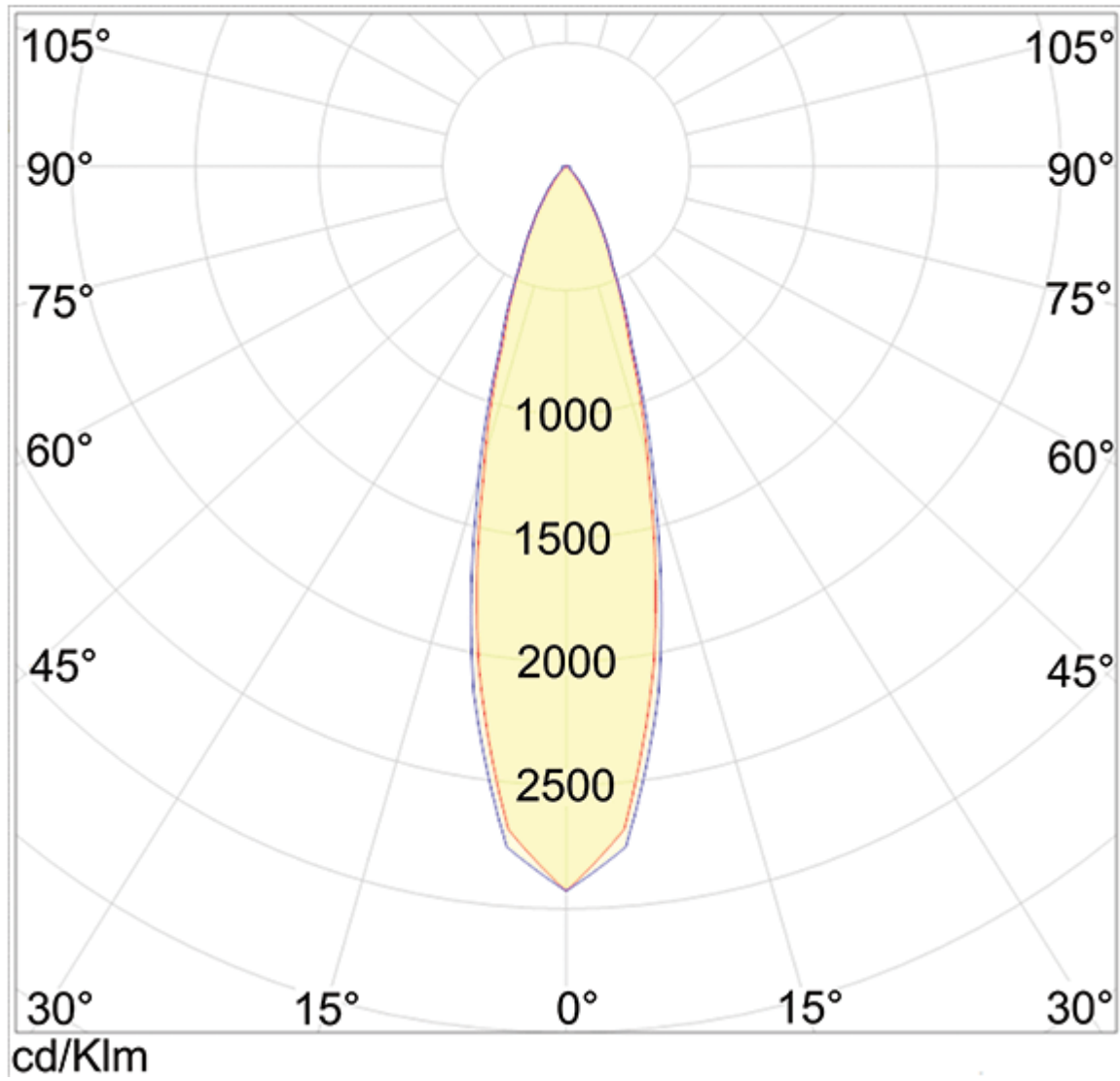
Simple Bezel-free Design & Installation

The separate FS SYSTEM aluminium backing plate makes installation easy and swift. The backing plate can be screwed to the back side of the installation panel, allowing the frame-less fitting to click into place from the front. No need to pre-wire panels or fit lights in advance. Maintenance is also quick and easy, a special key allows the fitting to be removed from the front without the need to remove ceiling panels.

5291 / 5294 - 26° Lens (.9M)



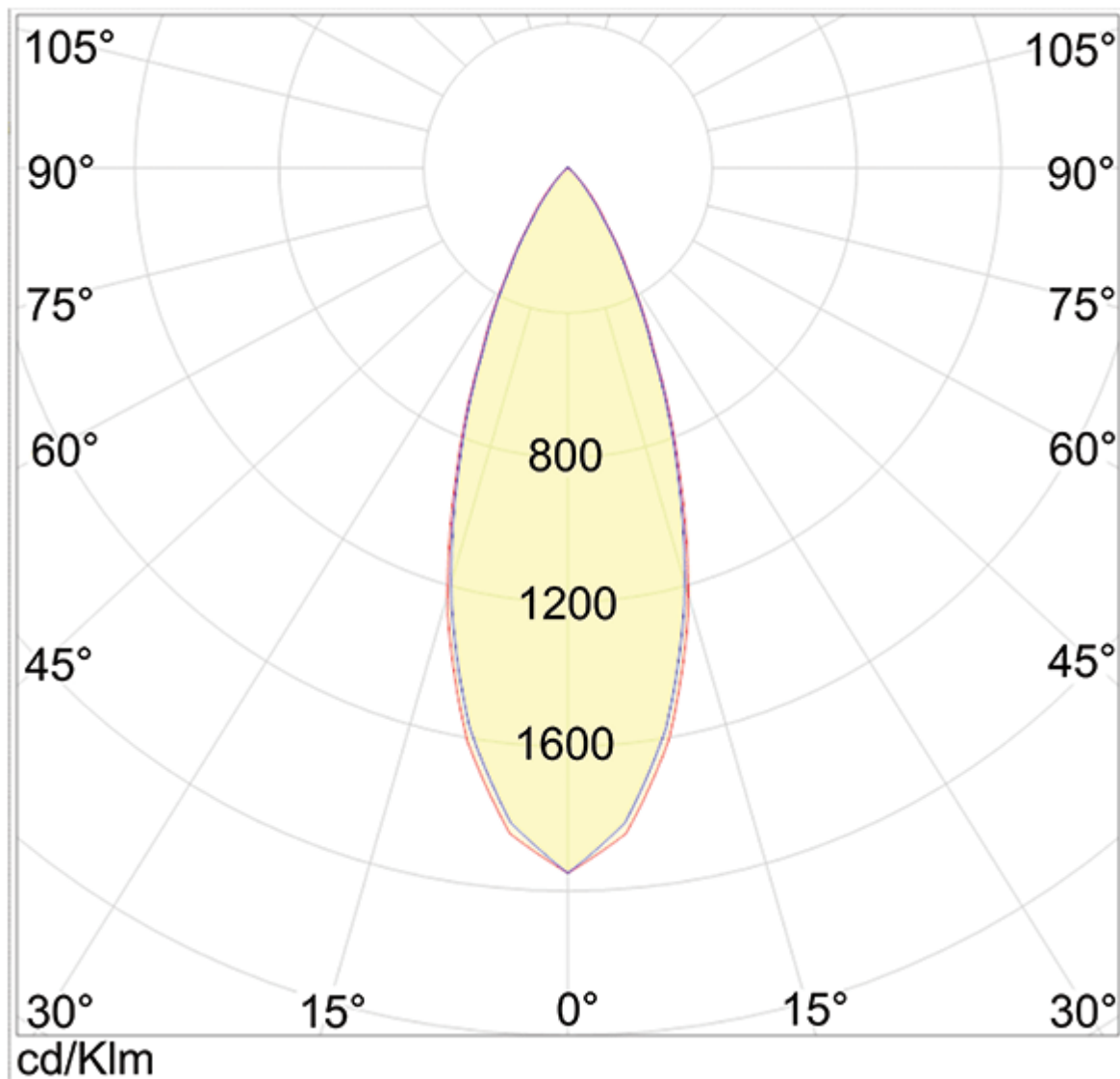
5291 / 5294 - 26° Lens (.9M)



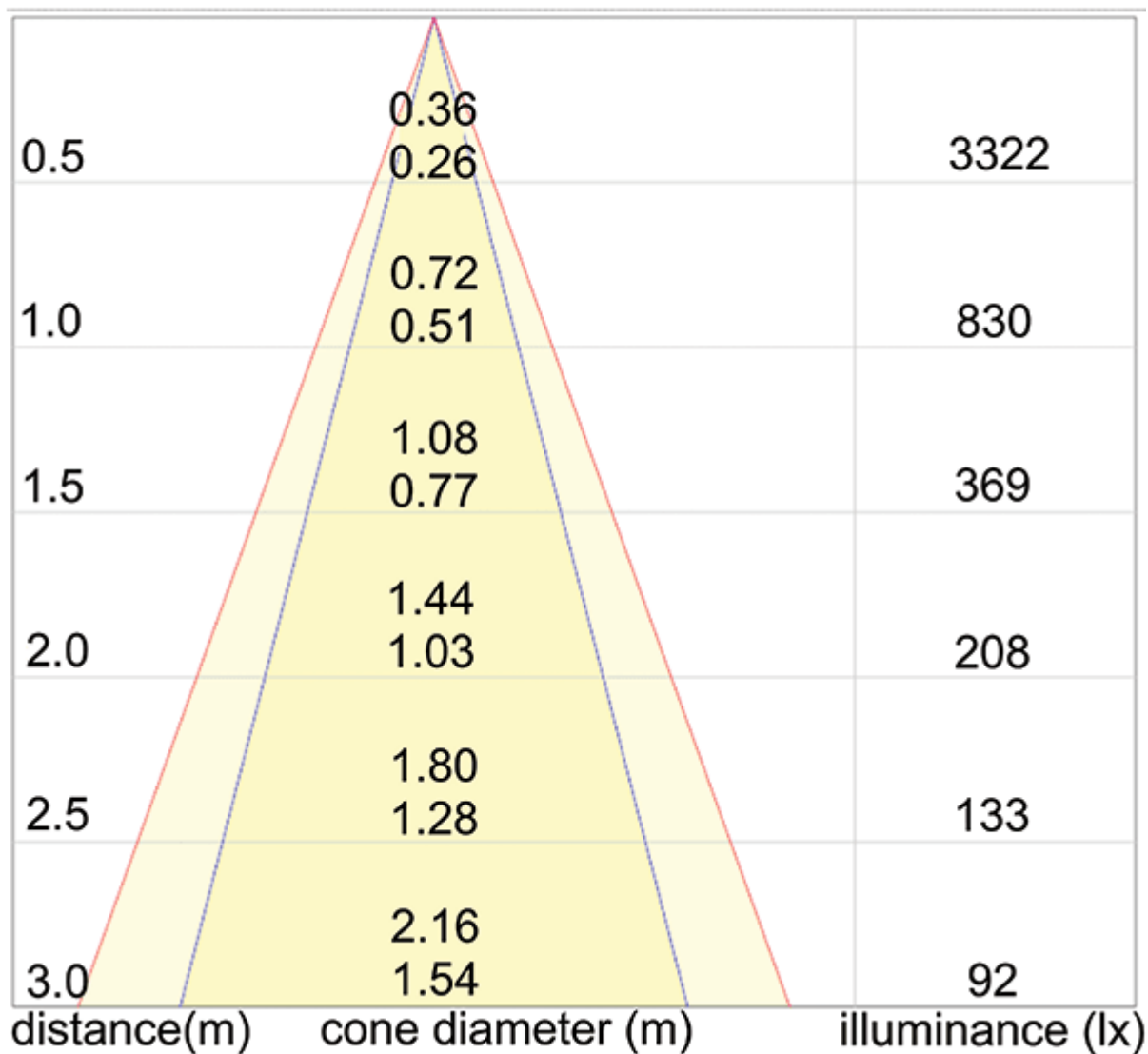
5291 / 5294 - 39° Lens (.9)

distance (m)	cone diameter (m)	illuminance (lx)
0.5	0.34 0.34	2973
1.0	0.68 0.69	743
1.5	1.02 1.03	330
2.0	1.35 1.38	186
2.5	1.69 1.72	119
3.0	2.03 2.07	83

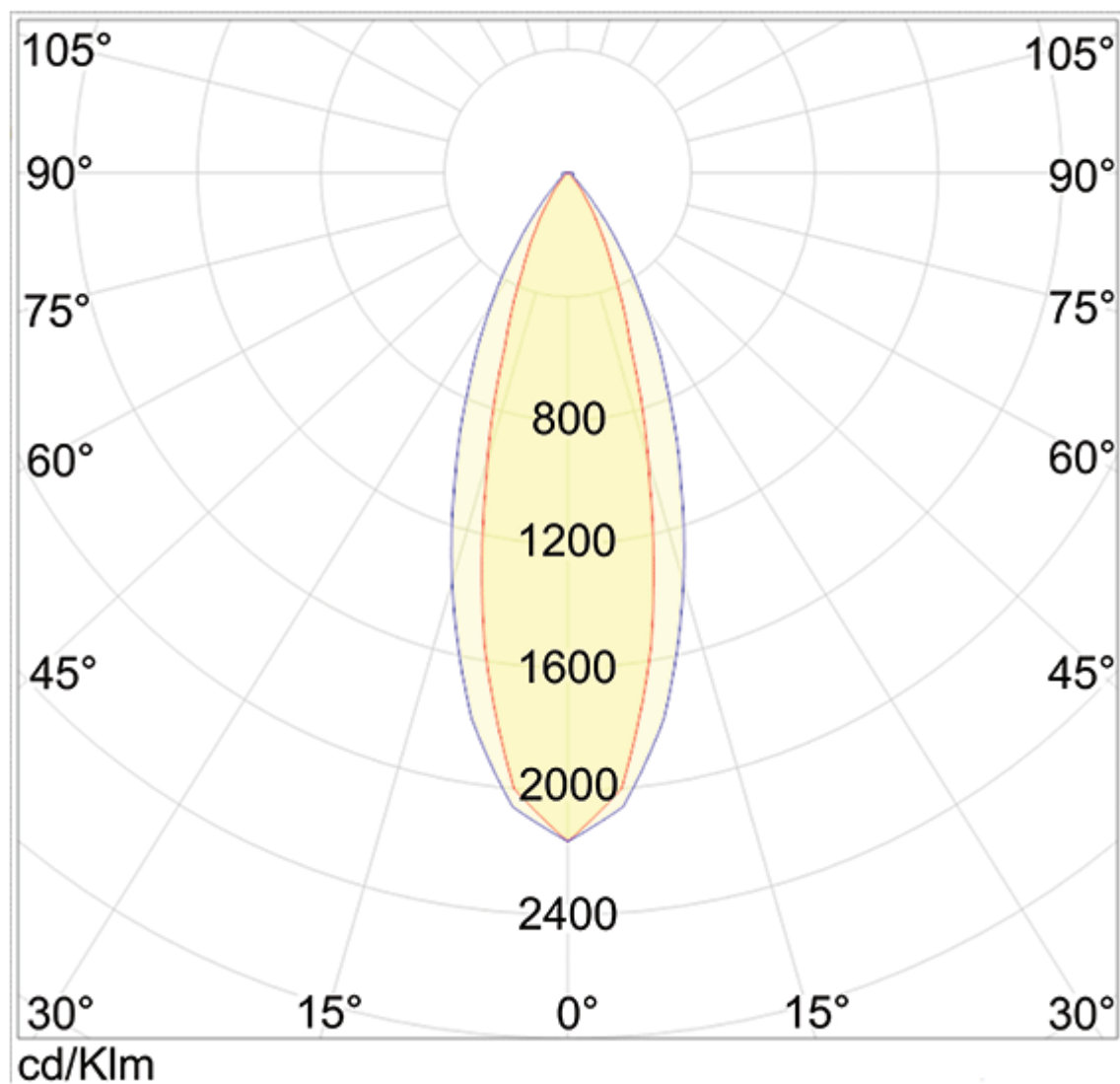
5291 / 5294 - 39° Lens (.9)

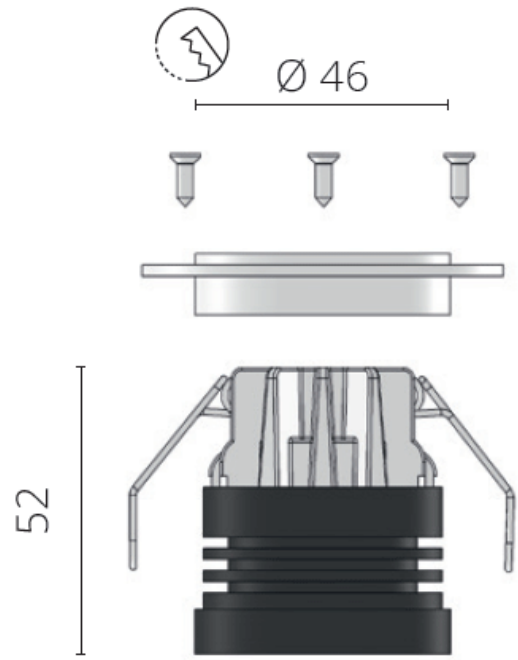
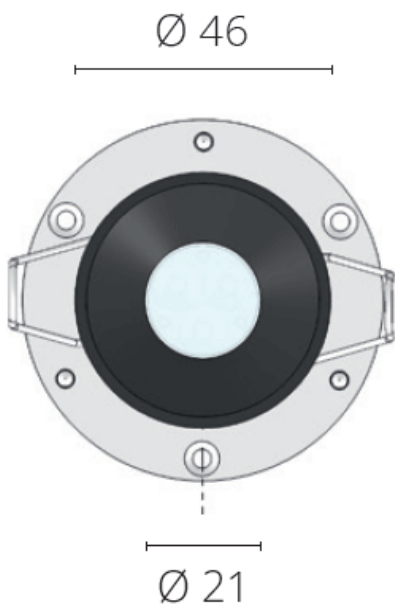


5291 / 5294 - 43-24° Lens (.9EL)



5291 / 5294 - 43-24° Lens (.9EL)





Power Led

Additional Information

Weight (kg)	0.150000
Manufacturer	Foresti & Suardi
Installation	Recessed
Light Element Type	Power LED
Wattage	6.5W
CRI	>90
Input Voltage	10-30Vdc
IP Rating	IP65
Dimmer	Yes
Bezel Size (mm)	Ø46.00
Cut-out Size (mm)	Ø46.00
Depth (mm)	50.00
Finish	Black

Product Options

LED Colour:	White 2700°K
	White 3200°K
	White 4000°K
	Red
Lens Angle:	26°
	39°
	Elliptical 43°-24°

