



'Alphard V' Courtesy Light

From
£24.05

Excl. Tax: £20.04

Product Images



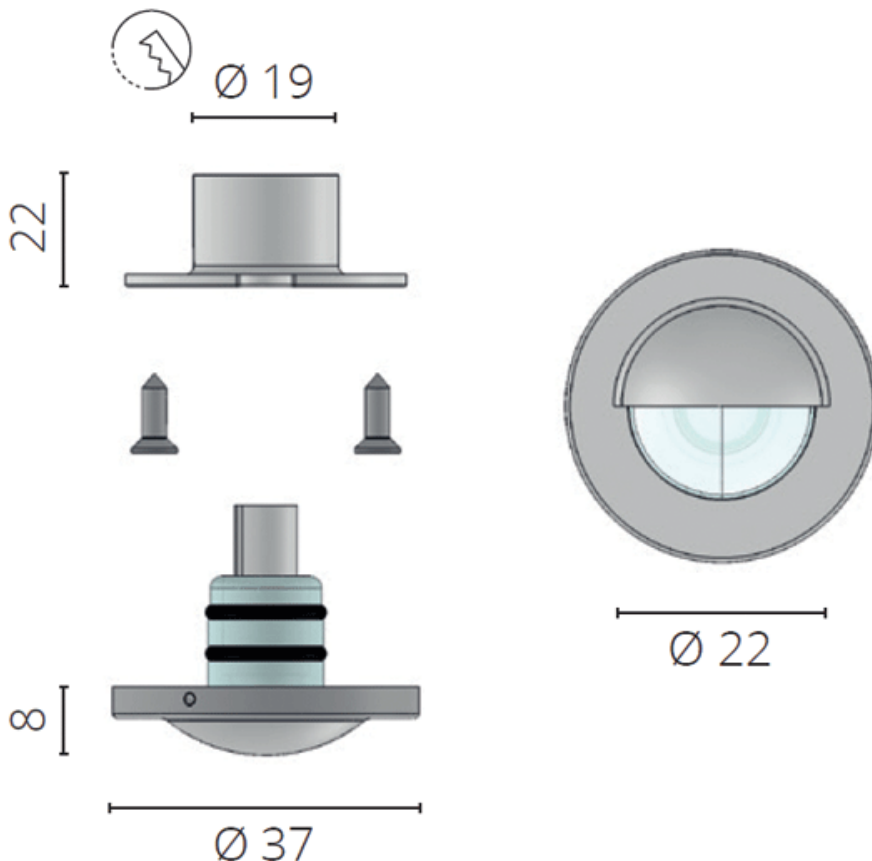
Short Description

A marine-grade LED step and courtesy light manufactured from 316-grade stainless steel. This courtesy light has an IP65 rating and is therefore suitable for interior or exterior application.

This courtesy light model features a polymer LED module housing and can be supplied in either a 0.5 Watt or 1.5 Watt version. The eyelid bezel design reduces glare when installed as a low-level courtesy light.

- LED courtesy light with a 316 grade stainless steel bezel
- Recessed with screw fitting
- SMD LED and Power LED versions available
- 10-30Vdc multi-voltage
- Dimmable
- IP65 rated

Description



Additional Information

| | |
|-------------------|---------------------|
| Weight (kg) | 0.020000 |
| Manufacturer | Foresti & Suardi |
| Installation | Recessed |
| Input Voltage | 10-30Vdc |
| IP Rating | IP65 |
| Dimmer | Yes |
| Bezel Size (mm) | Ø37.00 |
| Cut-out Size (mm) | Ø19.00 |
| Depth (mm) | 12.00 |
| Finish | 316 Stainless Steel |

Product Options

| | |
|---------------------|--------------|
| Light Element Type: | Power LED |
| | SMD LED |
| LED Colour: | White 3200°K |
| | White 4000°K |
| | White 6000°K |
| | Red |
| | Blue |

