



Flat Head Skin Fitting

From

£6.08

Excl. Tax: £5.07

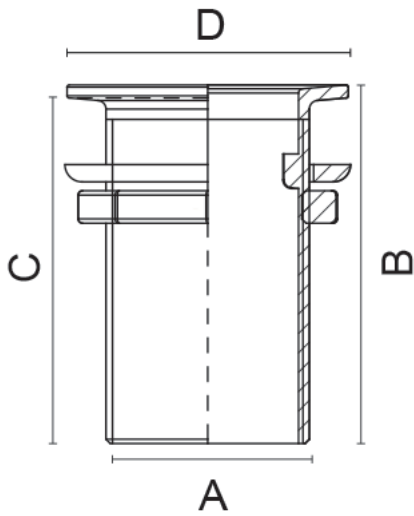
Product Images



Short Description

A pressure die cast brass flat head skin fitting. Available in a large number of dimensions and sizes in a polished brass or chrome plated finish.

Description



Product Code	A (BSP)	B	C	D
605C	3/8"	55	50	35
605D	1/2"	65	60	40
605E	3/4"	70	64	48
605F	1"	75	70	55
605G	1 1/4"	85	80	65
605H	1 1/2"	85	80	70
605I	2"	100	92	83

Additional Information

Manufacturer	Foresti & Suardi
Weight (kg)	0.000000

Product Options

Finish:	Chrome
	Brass
Hose Connection:	3/8" BSP
	1/2" BSP
	3/4" BSP
	1" BSP
	1 1/4" BSP
	1 1/2" BSP
	2" BSP

