



Approved EW2-M Electronic Horn With Amplifier + Fog Signal - 12-20m

From
£967.87
Excl. Tax: £806.56

Product Images



Short Description

The *EW2-M* by Marco is an approved electronic whistle complete with loudspeaker, built-in membrane control panel and electronic controller. The *EW2-M* features a new ultrasonic heating system for improved acoustic membrane performance.

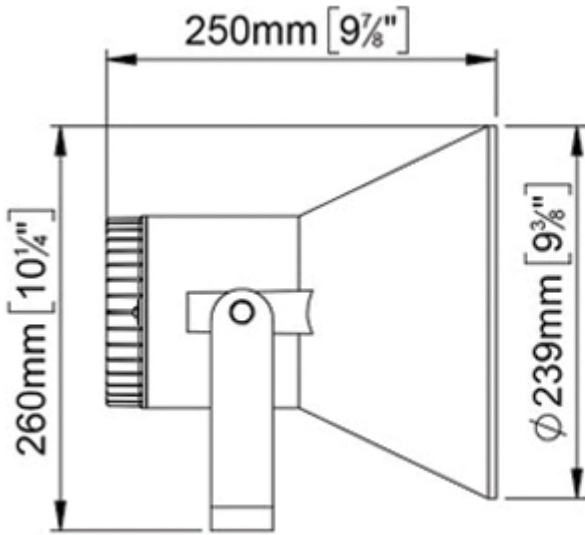
The system has a number of built-in functions:

- Manual tone - this can be installed across contacts marked 1 and 2 in order to ensure that it always has priority over any other function being used.
- Fog horn signal - This signal can be repeated at 60 or 90 second intervals. The default signal is a tone with a 5 second duration.
- Customised tone - The default fog horn 5 second signal can be substituted by a customised tone setting.
- Amplifier with auxiliary input for connection of other devices.

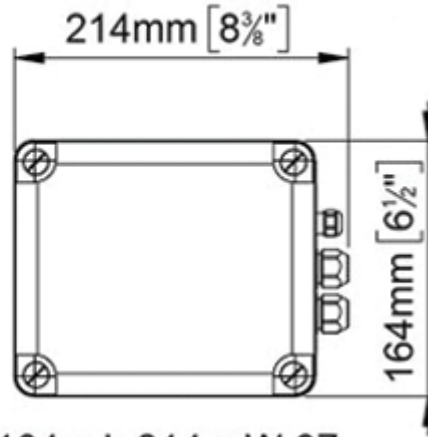
This electronic horn meets COLREG 1972 IMO class IV international regulations with RINA, LLOYD'S REGISTER MCA, BUREAU VERITAS, NMMA and BSH homologations.

Includes mounting kit and control panel.

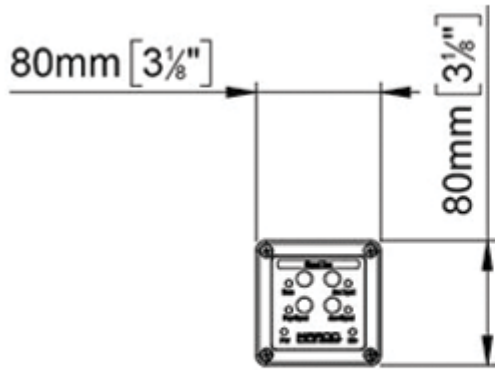
Description



H 260 x L 250 x W 239
 H 10 1/4" x L 9 7/8" x W 9 3/8"



H 164 x L 214 x W 87
 H 6 1/2" x L 8 3/8" x W 3 3/8"



H 80 x L 80 x W 46
 H 3 1/8" x L 3 1/8" x W 1 3/4"

Additional Information

Finish	White
Power Consumption	3 Amps
Horn Type	Electronic Multi-function Horn
dB (1/3 OCT. 1M)	>120.00
Vessel Approval	12-20m
Hz	690.00
Weight (kg)	4.540000
Manufacturer	Marco

Product Options

Input Voltage:	12Vdc
	24Vdc

