



Approved PW3-BC Horn With Electronic Valve - 20-75m

From

£653.58

Excl. Tax: £544.65

Product Images

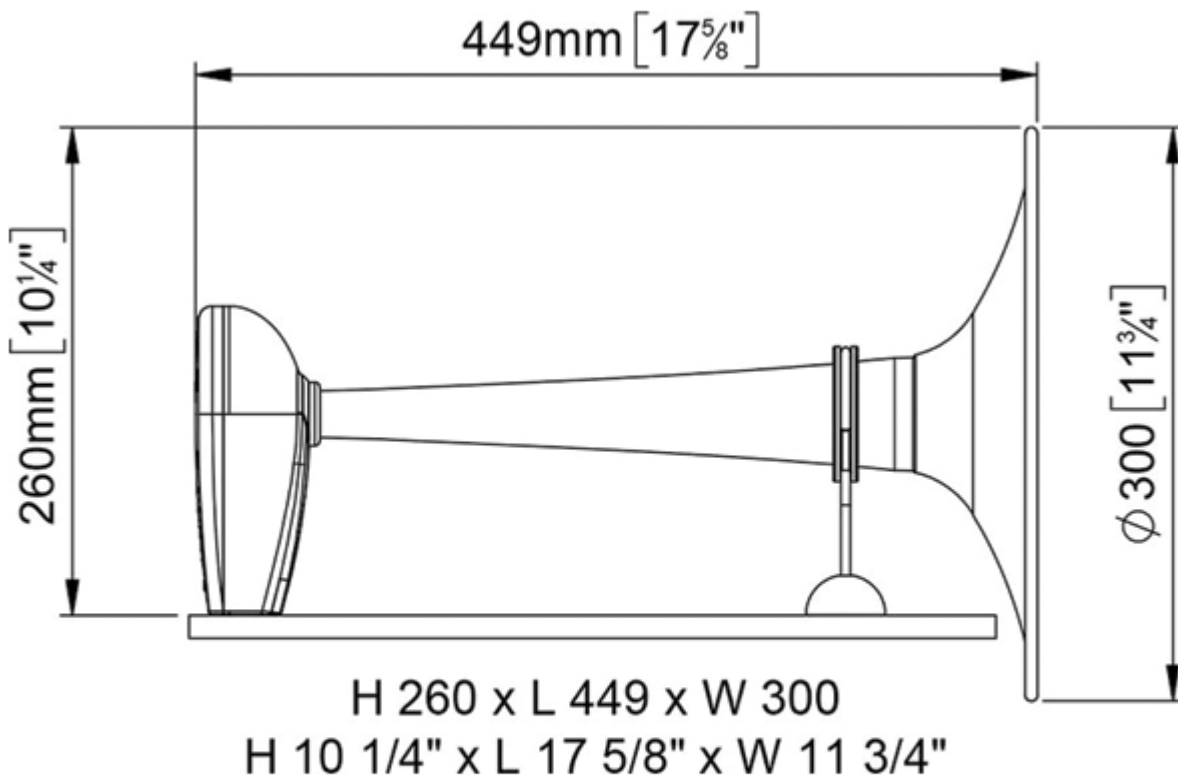


Short Description

The *PW3-BC* horn by Marco is an insurance approved air horn for vessels from 20 to 75 metres in length. The horn is sold with an electronic valve and must be used in conjunction with a 6-12 bar air compressor such as the Marco M3 (sold separately). The horn features a $\text{\O}300\text{mm}$ trumpet and has a marine-grade chrome plated finish. It also meets the COLREG 1972 IMO class III regulations.

The *PW3-BC* is approved by the following bodies: RINA, LLOYD'S REGISTER MCA and BUREAU VERITAS, BSH and NMMA.

Description



Additional Information

Finish	Chrome
Power Consumption	4.5 Amps
Horn Type	Compressed Air Horn
dB (1/3 OCT. 1M)	132.00
Vessel Approval	20-75m
Hz	315.00
Weight (kg)	2.880000
Manufacturer	Marco

Product Options

Input Voltage:	12Vdc
	24Vdc

