



Solid Brass Lever Lock

From

£27.48

Excl. Tax: £22.90

Product Images



Short Description

Lever lock available in brass and chrome plated brass finish.

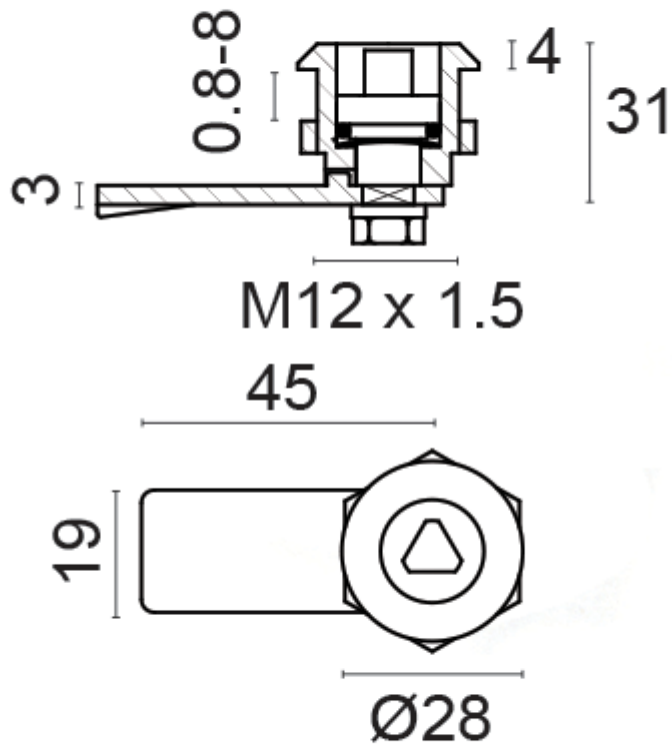
This lever lock is a simple yet effective way to secure an opening lid whilst providing a basic level of security. The lever lock is operated with a triangular box key, reducing the chances of being opened with basic tools. Turning the box key within the lock rotates the lever behind the lid, trapping it behind a striker plate. The lever lock is helpful in ensuring that watertight lids are pressed securely against their seals, and are often used in the corners of larger lids.

The lock is made from solid brass and is available in either a natural brass or chrome plated finish. It can be used in interior and exterior applications.

To be used in conjunction with 161202C/161202B key which can be found in the related products section below.

Description

Product Drawing



Additional Information

Weight (kg)	0.570000
Manufacturer	Razeto & Casareto
Max. Panel Thickness (mm)	8
Min. Panel Thickness (mm)	0.8
Base Diameter (mm)	28

Product Options

Finish:	Chrome
	Brass

