



Flush Lock

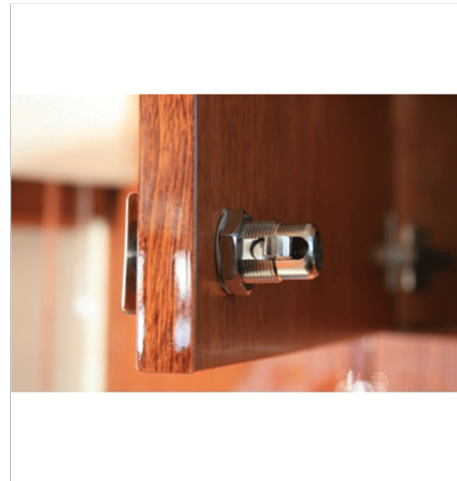
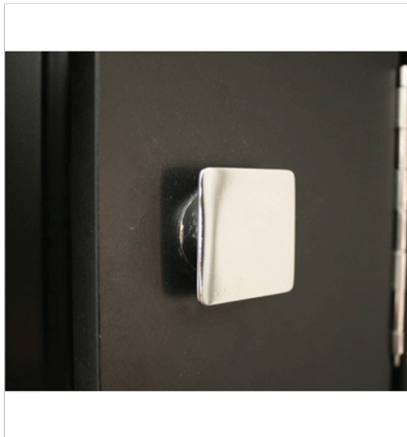
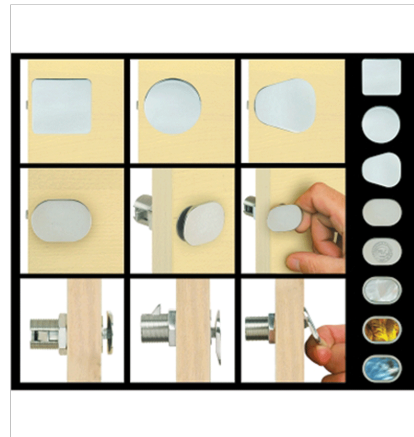
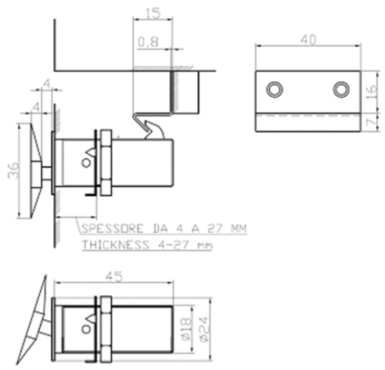
From
£44.12

Excl. Tax: **£36.77**

Product Images



Code 8004 Installation





Short Description

This line of cupboard and drawer catches is an evolution of the classic push button. With only one moving part and no additional mechanism it is strong, durable and beautiful.

- Fits panel thicknesses from 4 to 27mm
- Made from stainless steel and chromed brass
- Can also be covered in leather
- Available in 4 designs

Design byangi Razeto.

Please note, the latch front is made of polished 316 grade stainless steel, and the rear mechanism is constructed from chrome plated brass.

Additional Information

Length (mm)	53
Recess Diameter (mm)	18
Flange Diameter (mm)	24
Max. Panel Thickness (mm)	27
Finish	316 Stainless Steel
Manufacturer	Razeto & Casareto
Weight (kg)	0.100000

Product Options

Shape:	Oval
	Square
	Round
	Triangular

