



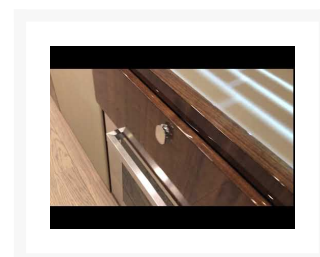
# Flush Lock - Soft Close

From

**£76.37**

Excl. Tax: £63.64

## Product Images



## Short Description

This line of cupboard and drawer catches is an evolution of the classic push button. With only one moving part and no additional mechanism, the Flush Lock is strong, durable and beautiful. It is designed to work with soft close drawer runners. The latch self-triggers once the soft close mechanism reaches the end of its travel.

- Fits panel thicknesses from 4 to 27mm
- Magnetic action is compatible with soft close drawer runners and cupboard hinges
- Made from stainless steel and chromed brass
- Can also be covered in leather
- Available in an oval or square design

Other designs available on request, a minimum order quantity may apply.

Please note, the latch front is made of polished 316 grade stainless steel, and the rear mechanism is constructed from chrome plated brass.



## Description

---

### 800400C-OMAG

Soft Close Lock - Oval Face



---

## 800400C-QMAG

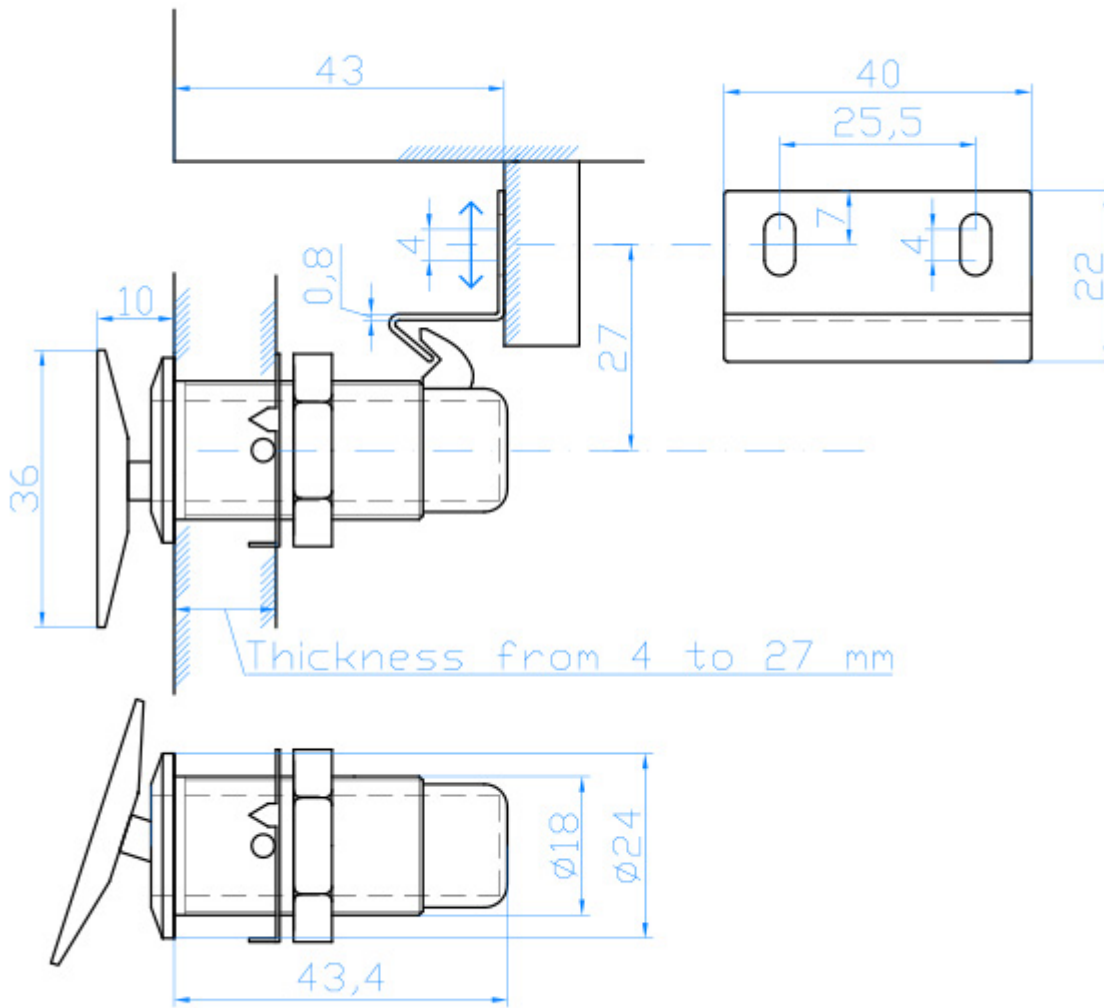
Soft Close Lock - Square Face





---

## Drawing



## Additional Information

Max. Panel Thickness (mm)	27
Finish	316 Stainless Steel
Manufacturer	Razeto & Casareto
Weight (kg)	0.112000

# Product Options

---

Shape:

Square

Round

