



Stainless Steel Flush Drain Fitting

From

£48.54

Excl. Tax: £40.45

Product Images



Short Description

A flush drain fitting with stainless steel grid and threaded brass tube, available in two sizes.

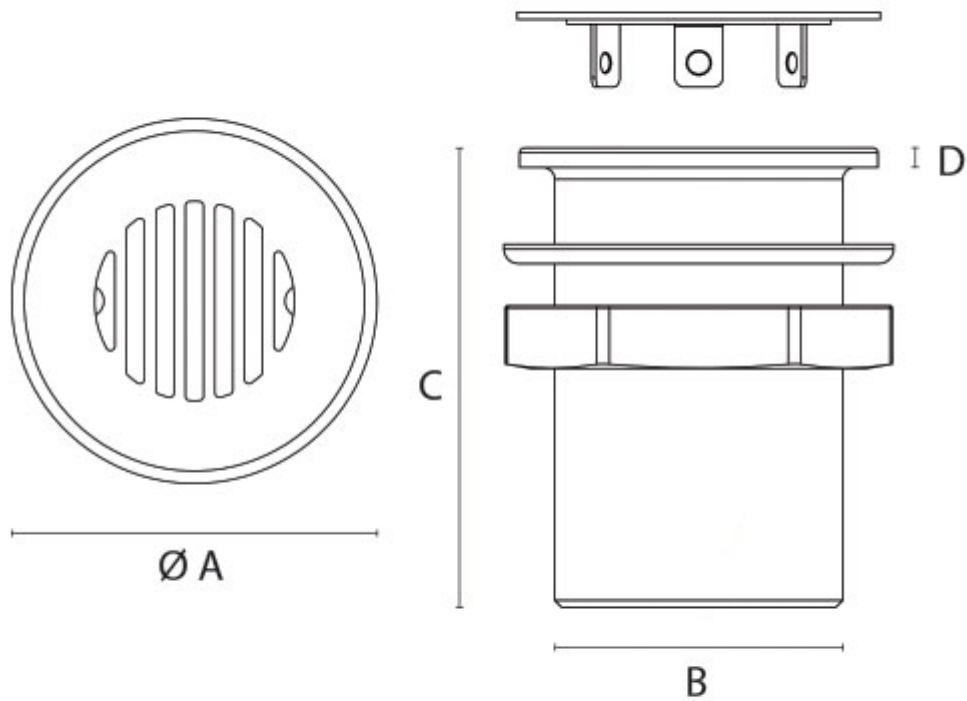
This drain fitting can be used in interior or exterior settings. With a 316-grade (A4) stainless steel lid in a mirror polished finish, the product is highly resistant to corrosion and is therefore suited to harsh environments such as marine or coastal application. The item is commonly used as a deck drain on board a yacht.

The product is offered in two sizes with 1 1/4" BSP and 2" BSP connections.

Description

Product Drawing

Code	A	B	C	D
911500SS	50.5	1 1/4" BSP	82	3
911800SS	75	2" BSP	95	4



Additional Information

Manufacturer	Foresti & Suardi
Weight (kg)	0.400000

Product Options

Version:	Small
	Large

