



Hatch Locking Device - Stainless Steel

From
£127.27
Excl. Tax: £106.06

Product Images



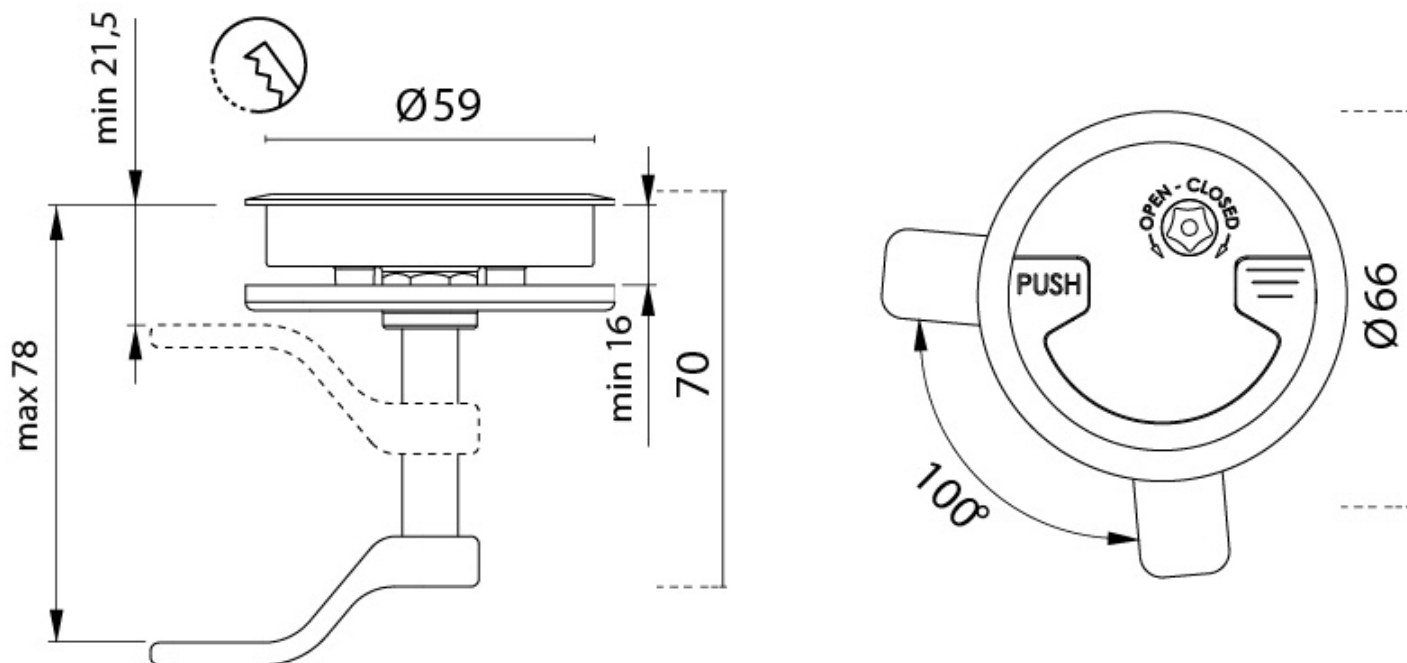
Short Description

A 316 grade stainless steel hatch locking device with a simple handle blocking key lock. This product features a low security handle block which is engaged or disengaged with a small key. When engaged, the mechanism simply stops the handle from being raised and operated and therefore deters access to the hatch.

The product is made entirely from 316 grade stainless steel and comes complete with a counter plate. The locking device is secured in place with two M3 fixings (not supplied).

This hatch lock is available with or without push and open/close markings.

Description



Additional Information

Diameter (mm)	66.00
Weight (kg)	0.370000
Manufacturer	Foresti & Suardi
Finish	316 Stainless Steel
Min. Panel Thickness	16.00
Cut-out Size (mm)	Ø59.00
Stud Fixing	M3

Product Options

Version:	With Markings
	Without Markings

