



Flush Hinge - Stainless Steel

£33.43

Excl. Tax: £27.86

Product Images



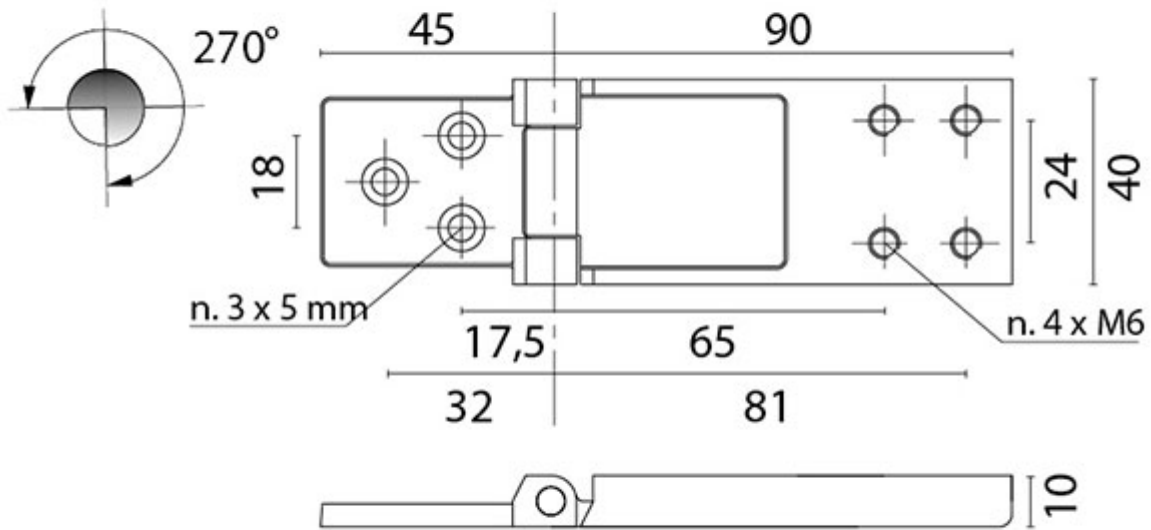
Short Description

A 316-grade, highly polished, stainless steel flush hinge.

Stud fixing via M6 bolts (not supplied).

Description

Product Drawing



Additional Information

Length (mm)	95.00
Width (mm)	40.00
Depth (mm)	10.00
Max. Opening	270°
Leaf Thickness (mm)	4.50 / 10.00
Hub Diameter (mm)	10.00
Finish	316 Stainless Steel
Manufacturer	Foresti & Suardi
Weight (kg)	0.270000

