



Flush Hinge - Stainless Steel

£21.04

Excl. Tax: £17.53

Product Images



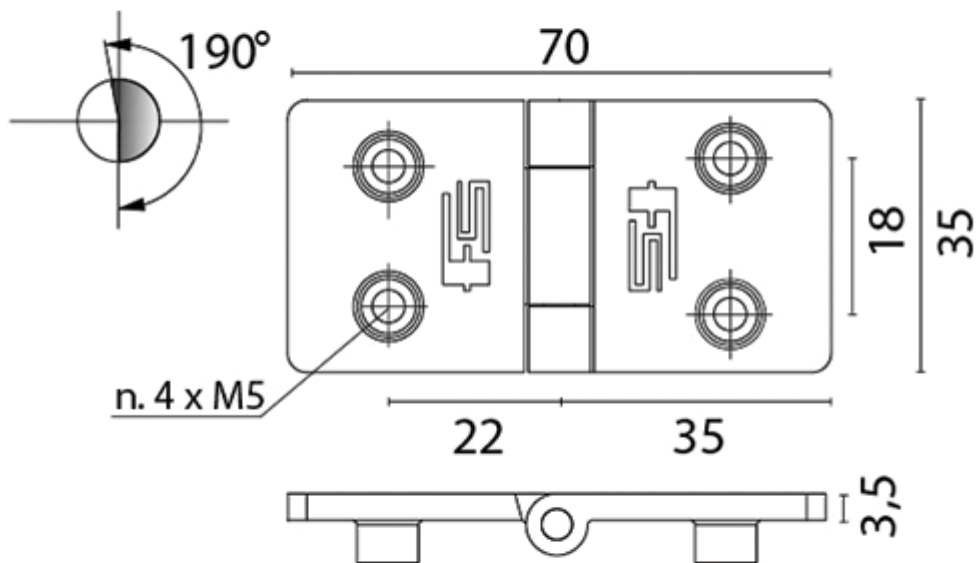
Short Description

Made from 316 grade stainless steel (A4).

Highly polished finish. Stud fixing via M5 bolts (not supplied).

Description

Product Drawing



Length (mm)	70.00
Width (mm)	35.00
Depth (mm)	9.00
Max. Opening	190°
Leaf Thickness (mm)	3.50
Hub Diameter (mm)	8.00
Finish	316 Stainless Steel
Manufacturer	Foresti & Suardi
Weight (kg)	0.080000



Additional Information