



Montisola Solid Teak Director's Chair

Product Images





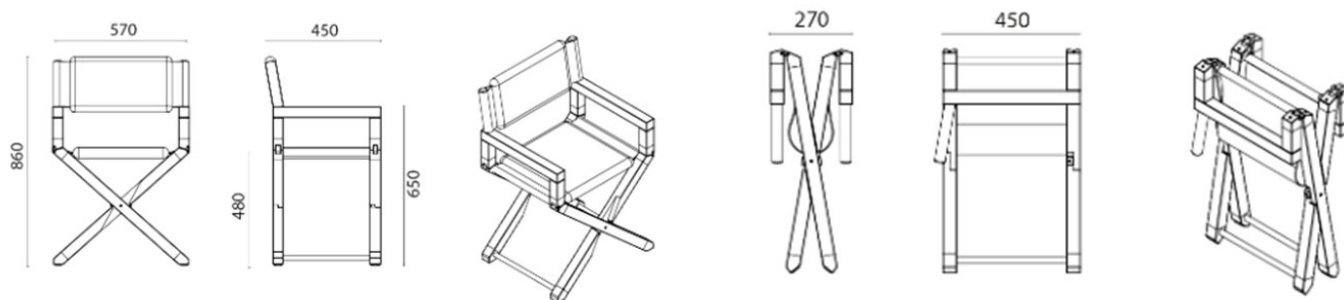


Short Description

Folding director's chair made from solid teak and chrome plated brass.

- Solid teak construction with simple folding mechanism.
- Leather pads on the underside to prevent chair from scratching teak decking.
- Upholstered as standard in Maria Flora outdoor fabrics.
- Complete with storage bag.
- Available in two finishes as standard. Other materials and colours available on request, a minimum order quantity may apply.

Description



Additional Information

Height (mm)	860
Width (mm)	570
Depth (mm)	450
Seat Height (mm)	480
Folded Size (mm)	H 860.00 x D 450.00 x W 270.00
Manufacturer	Foresti & Suardi
Weight (kg)	10.100000

Product Options

Finish:	Rivetti
	Florio

