



# Aluminium Extrusion For Strip Led

From

**£11.04**

Excl. Tax: £9.20

## Product Images



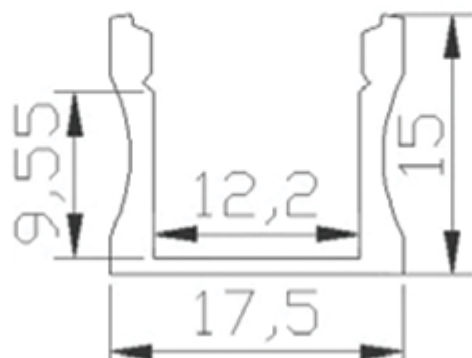
## Short Description

---

Anodised aluminium extrusion for use with 10mm wide strip LED. This extrusion features a push-in frosted lens and is supplied complete with end caps and mounting clips (x2). This 15mm tall product is ideal for those looking for a dot-free DIY LED strip solution as the height ensures that the LED output is uniformly diffused.

## Description

---



## Additional Information

---

Weight (kg)	0.240000
Lens Type	Opal
Dimmer	No
Finish	Anodised Aluminium

## Product Options

---

Length (mm):	1000.00
	2000.00

