

# VetroFreddo Ovale Basin

**£238.67**

Excl. Tax: £198.89

## Product Images



## Short Description

---

# VetroFreddo® oval countertop sink available in white only.

This compact countertop sink is made from VetroFreddo®. VetroFreddo® is an innovative material composed of glass pigments and resin offering an unusual depth to the finish and softness to the touch. The sink does not feature an overflow, it is intended for use as a handwashing basin.

Sink waste is not included but can be purchased separately.

## Description

---

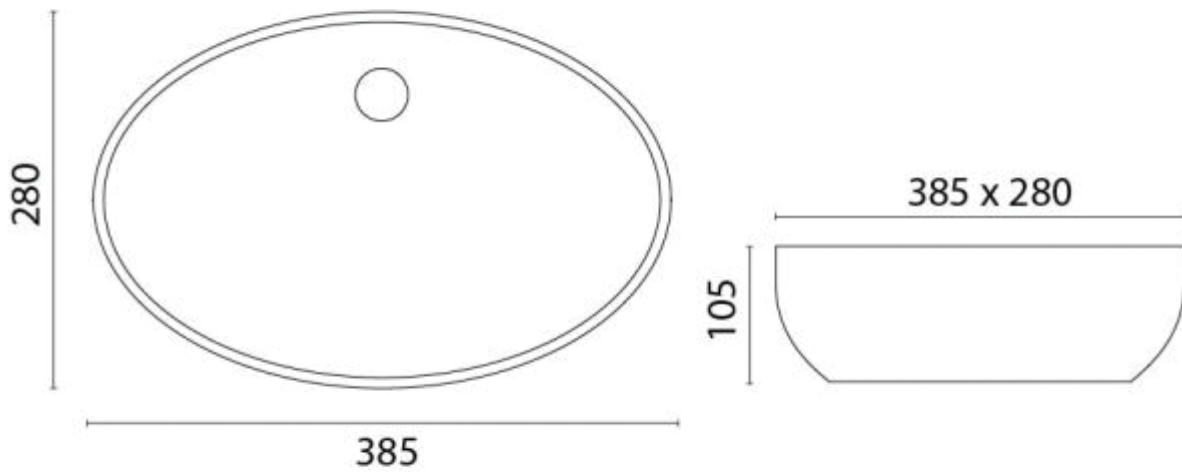
### VetroFreddo® - Cold Glass

VetroFreddo® is an innovative material composed of glass pigments and resin. Its key characteristics are its versatility in adapting itself to any form or shape imaginable. The material's unique characteristics are expressed through the soul of its colour, which can be in clear, semitransparent or opaque form, due to the material composition of glass pigments. No limits exist in regards to colour. Apart from the existing range of colours, any colour from the "RAL" colour scheme can be chosen on request.

VetroFreddo® is temperature resistant up to approximately 100°C and can be worked with and carved just as marble or glass. All objects designed with the material VetroFreddo® can be cleaned with any type of non-granular soap, using soft sponges or tissues. In case of superficial damage (scratches), the damaged area should gently be rubbed with a sheet soaked in olive oil. In case of deeper scratches or damage, a special replacement glass paper is available from the manufacturer for every colour and type of object.



## Product Drawing



## Additional Information

---

Weight (kg)	2.650000
Manufacturer	Foresti & Suardi
Finish	White
Length (mm)	385
Width (mm)	280
Height (mm)	105

