



# Aluminium Electric Table Pedestal

From

**£2,310.42**

Excl. Tax: £1,925.35

## Product Images



## Short Description

### Aluminium 3-stage electric table pedestal

Crafted from anodised aluminium with robust 316-grade stainless steel collars, this marine-grade electric table pedestal provides a versatile and efficient solution for optimising space. Designed to effortlessly raise or lower your table at the touch of a button, it transforms a dining area into a relaxation or sleeping space with ease.

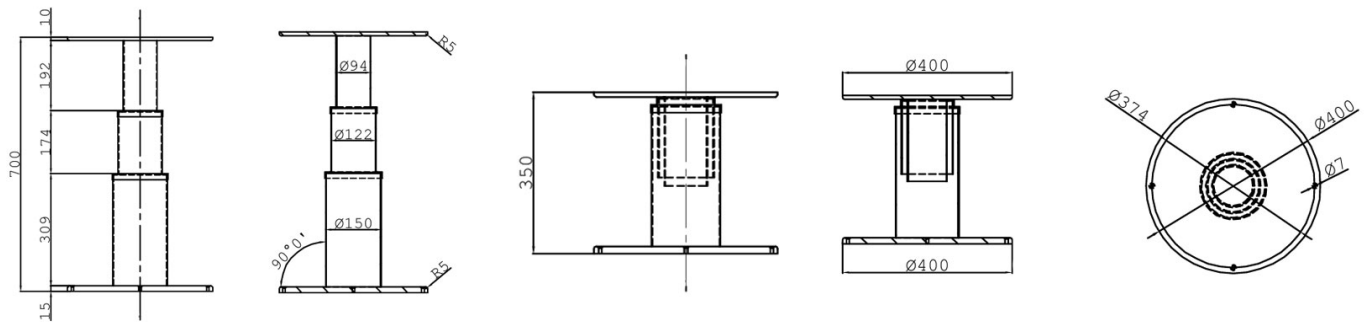
Whether on a yacht or in a land-based project, electric pedestals have long been valued for their space-

maximising benefits. Ideal for both marine and non-marine applications, this pedestal is suitable for various design needs. For larger tables, it can be installed in synchronised pairs to support broader surfaces.

With a lifting capacity of up to 100kg, this Italian-made pedestal by Atep Italia combines style, durability, and performance, making it an ideal choice for projects that require reliable, adaptable table support.

## Description

## Dimensions



## Additional Information

Top Plate (mm)	Ø 400.00
Base (mm)	Ø 400.00
Max. Height (mm)	700.00
Min. Height (mm)	350.00
Max. Lifting Capacity (kg)	100
Max. Table Size (mm)	1200.00 x 900.00
Finish	Anodised Aluminium
Manufacturer	Atep
Weight (kg)	17.350000

## Product Options

---

Input Voltage:

12Vdc

24Vdc

