



# Electric Table Pedestal

From

**£2,310.42**

Excl. Tax: £1,925.35

## Product Images



## Short Description

**Round 3 stage electric pedestal made from anodised aluminium.**

Available in polished aluminium, featuring 316 grade stainless steel collars.

Can be installed in synchronised pairs for larger tables.

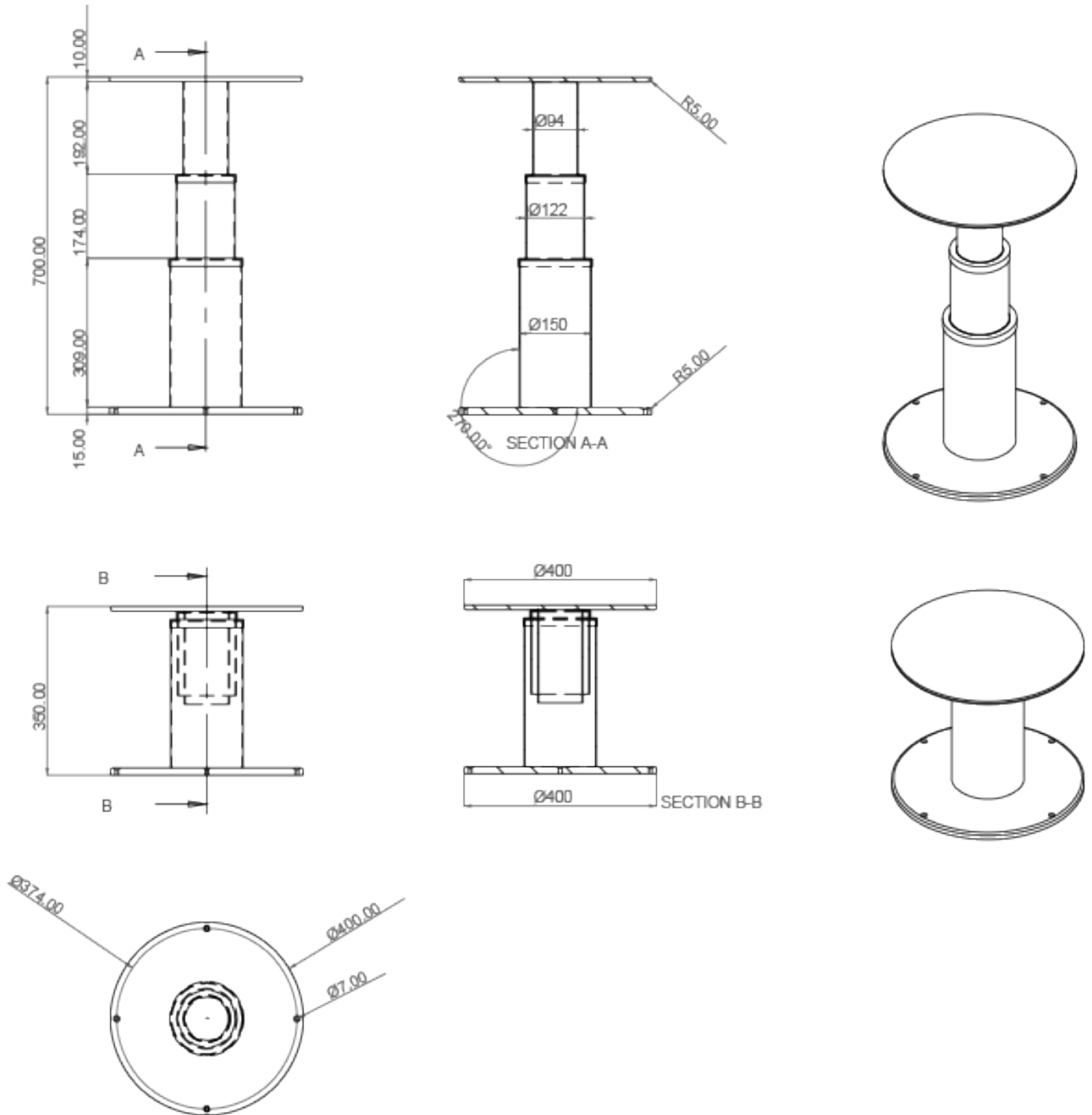
## Description

# Multifunctional Living

This marine-grade aluminium table pedestal is a cost effective automatic table solution. This support will allow a table to be raised and lowered at the touch of a button and convert a dining space into a relaxation space or even aid in the conversion of a seating area into a sleeping area.

Electric pedestals have been key to maximising space on board yachts for many years and can offer the same advantages to non-marine projects too. If you are planning the incorporation of an automatic table support into your project then please do not hesitate to contact us to discuss your requirements.

## Drawing



## Additional Information

---

Top Plate (mm)	Ø 400.00
Base (mm)	Ø 400.00
Max. Height (mm)	700.00
Min. Height (mm)	350.00
Max. Lifting Capacity (kg)	100
Max. Table Size (mm)	1300.00 x 950.00
Finish	Anodised Aluminium
Manufacturer	Atep
Weight (kg)	17.350000

## Product Options

---

Input Voltage:	12Vdc
	24Vdc

