



Electric Table Pedestal

From

£2,930.22

Excl. Tax: £2,441.85

Product Images



Short Description

3 stage electric pedestal made from anodised aluminium and 316 grade stainless steel.

- 1st stage and base constructed from 316 grade stainless steel.
- 2nd and 3rd stages finished in polished aluminium.
- Featuring a square top plate, base and 1st stage column, and round 2nd and 3rd stage columns.

Can be installed in synchronised pairs for larger tables.

Description

Multifunctional Living

This marine-grade stainless steel table pedestal is the ultimate automatic table solution. This support will allow a table to be raised and lowered at the touch of a button and convert a dining space into a relaxation space or even aid in the conversion of a seating area into a sleeping area.

Electric pedestals have been key to maximising space on board yachts for many years and can offer the same advantages to non-marine projects too. If you are planning the incorporation of an automatic table support into your project then please do not hesitate to contact us to discuss your requirements.

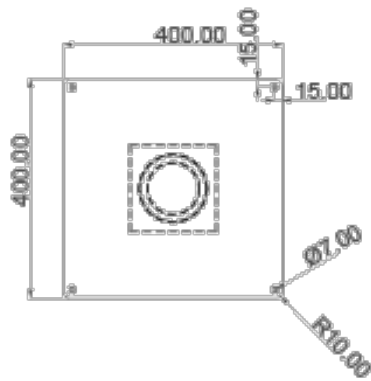
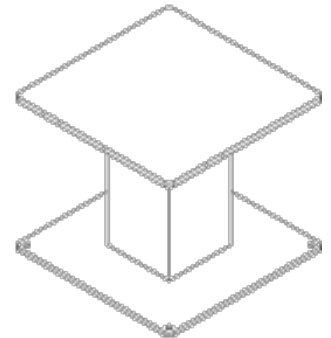
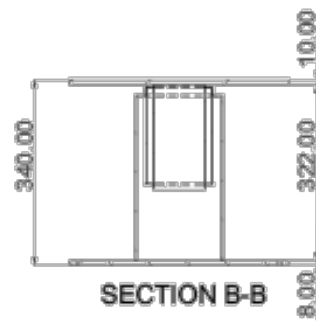
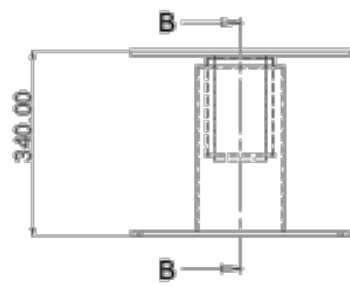
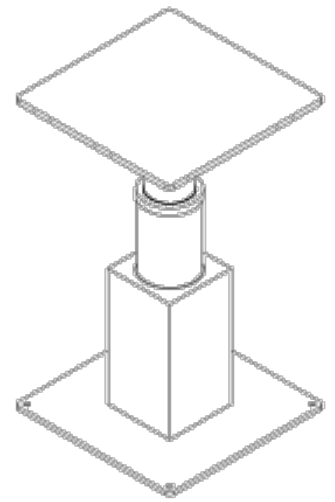
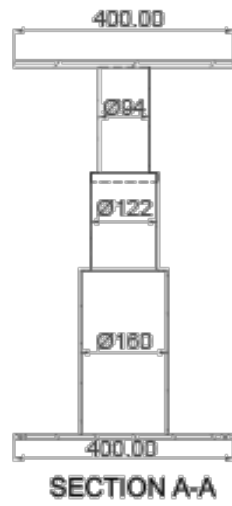
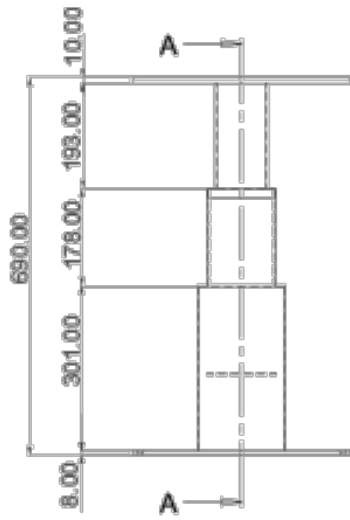
Marine-Grade Construction

This pedestal model is made from 316-grade stainless steel and anodised aluminium. The base and top plate, together with the base column are constructed from stainless steel which is polished to a mirror finish. This not only looks beautiful but also ensures that the support will continue to perform and resist corrosion even in an outdoor marine environment. The second moving section is made from polished aluminium. This offers a more cost-effective solution when comparing to all-stainless steel models.

Strength

The pedestal features powerful internal actuators which can raise and lower table tops up to 100kg in weight. This means that tables made from solid timber, glass or tables with stone or marble inlay can all be considered. It is essential however to never exceed the maximum table size when designing your solution.

Drawing



Additional Information

Top Plate (mm)	400.00 x 400.00
Base (mm)	400.00 x 400.00
Max. Height (mm)	690.00
Min. Height (mm)	340.00
Max. Lifting Capacity (kg)	100
Max. Table Size (mm)	1300.00 x 950.00
Finish	Anodised Aluminium With 316 Stainless Steel
Manufacturer	Atep
Weight (kg)	24.000000

Product Options

Input Voltage:	12Vdc
	24Vdc

