

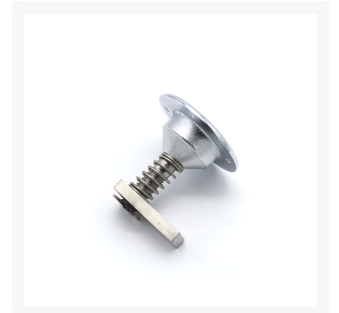


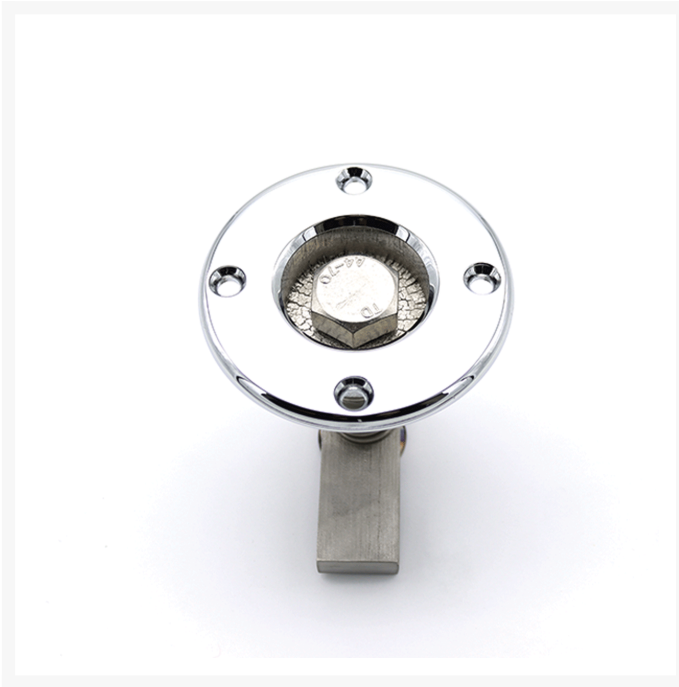
Hatch Locking Device - Compression

From
£58.12

Excl. Tax: £48.43

Product Images

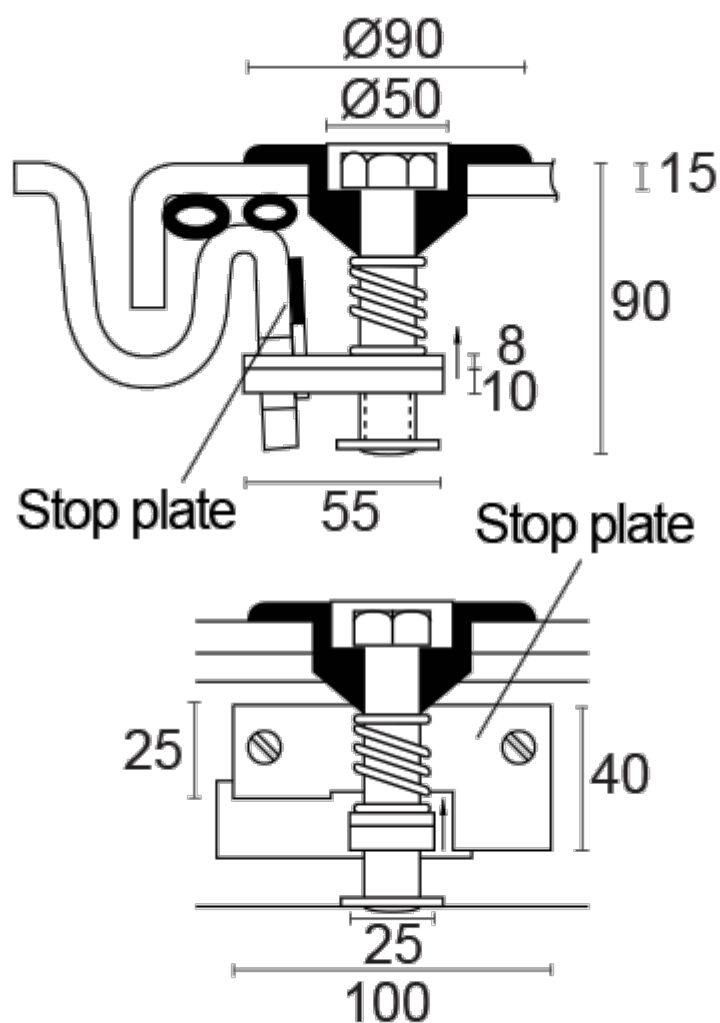




Short Description

This robust hatch lock is the quickest, simplest and most effective way to securely fasten all types of hatches from the outside. To fasten, the bolt head is turned clockwise with a 24 mm box spanner until the desired tightness is obtained. The bolt operates a locking plate, which travels up the thread until it engages into the stop plate. To unlock, repeat the procedure in reverse until locking plate is clear from stop plate. All components are stainless steel except for the bush and stop plate which are made from brass and are available in either polished brass or chrome plated brass finish.

Description



Additional Information

Diameter (mm)	90.00
Weight (kg)	0.750000
Max. Panel Thickness (mm)	70.00
Min. Panel Thickness	15.00
Cut-out Size (mm)	$\text{Ø}50.00$

Product Options

Finish:

Chrome

Brass

