



Knob and Ferrule

From

£9.28

Excl. Tax: £7.73

Product Images



Short Description

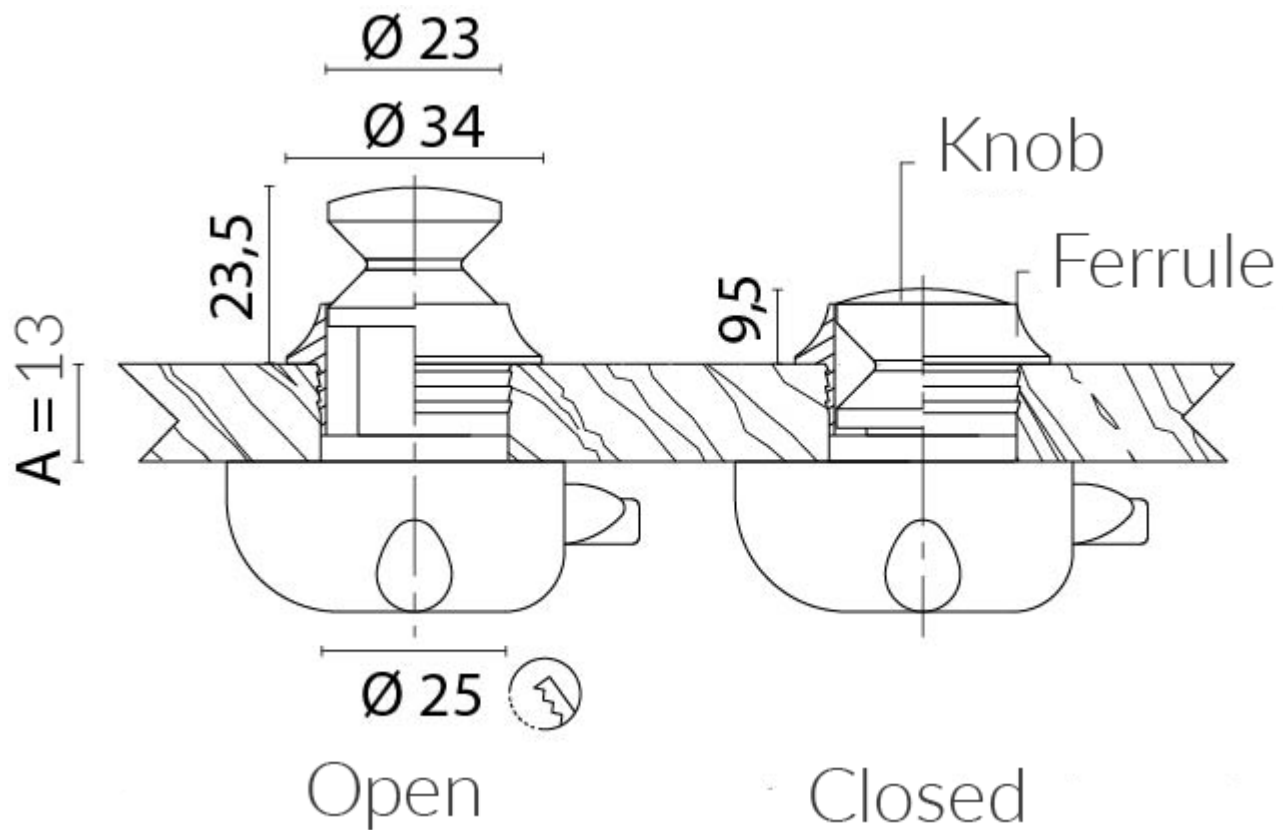
A solid brass knob and ferrule available in a polished brass or chromed brass finish. Compatible with complete range of push button mechanisms except 309400 and 309411.

The 181 is available in 5 sizes, suitable for panels of up to 28mm thick.

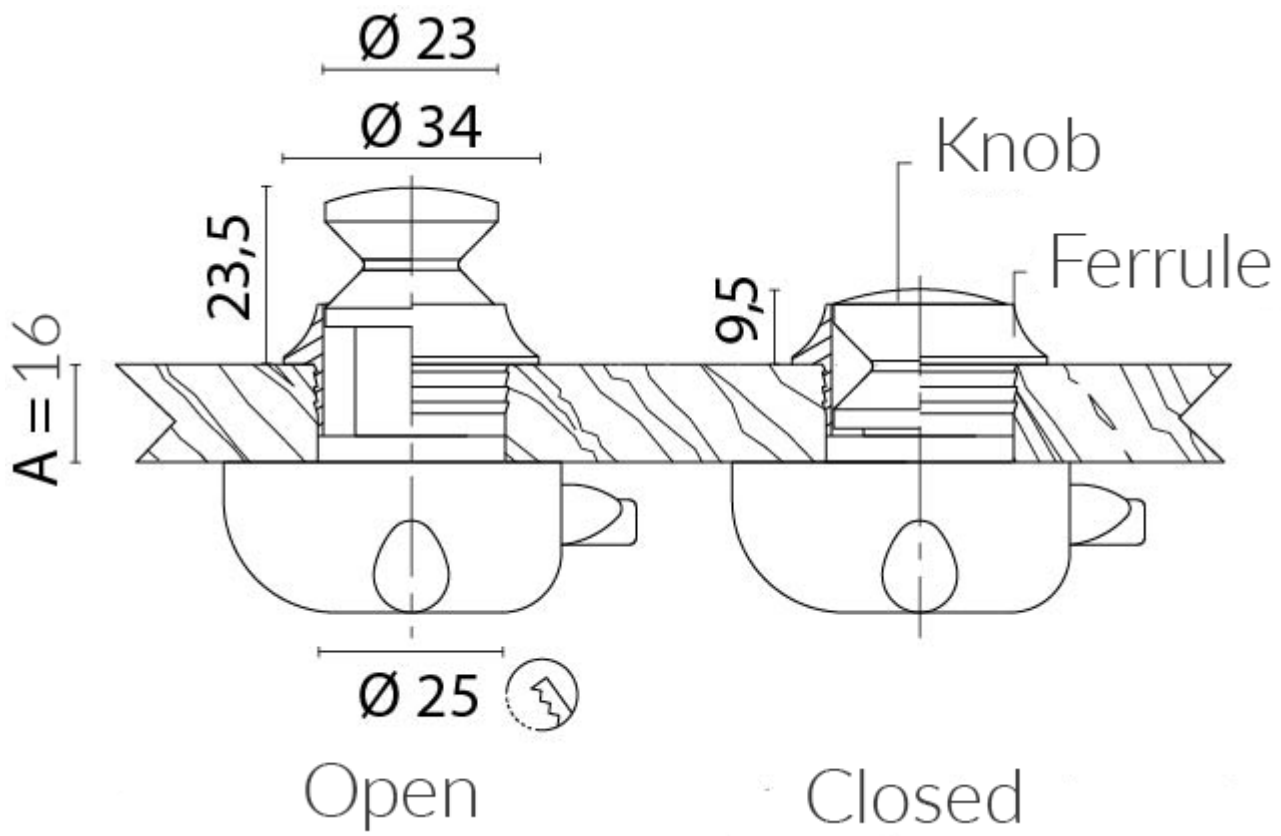
Bi-colour and other finishes available on request, a minimum order quantity may apply.

Description

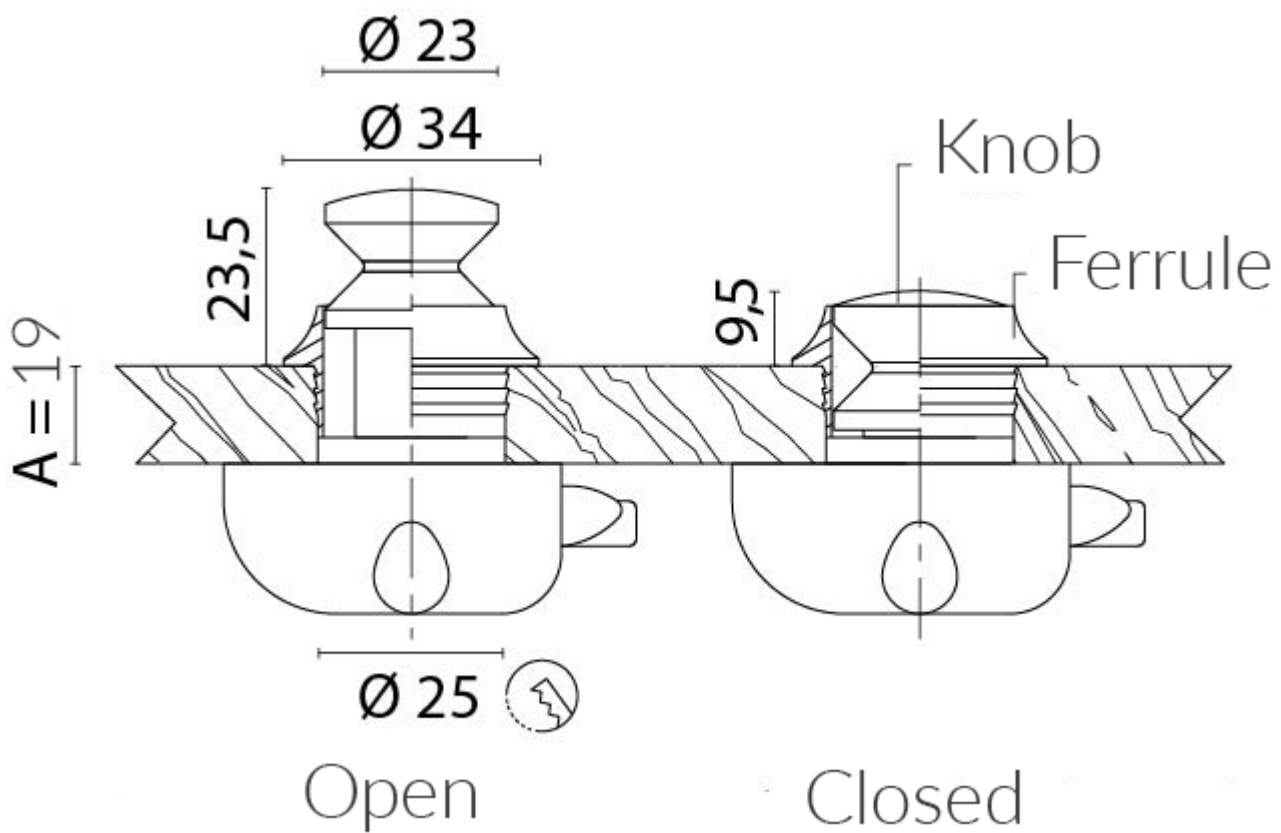
181A



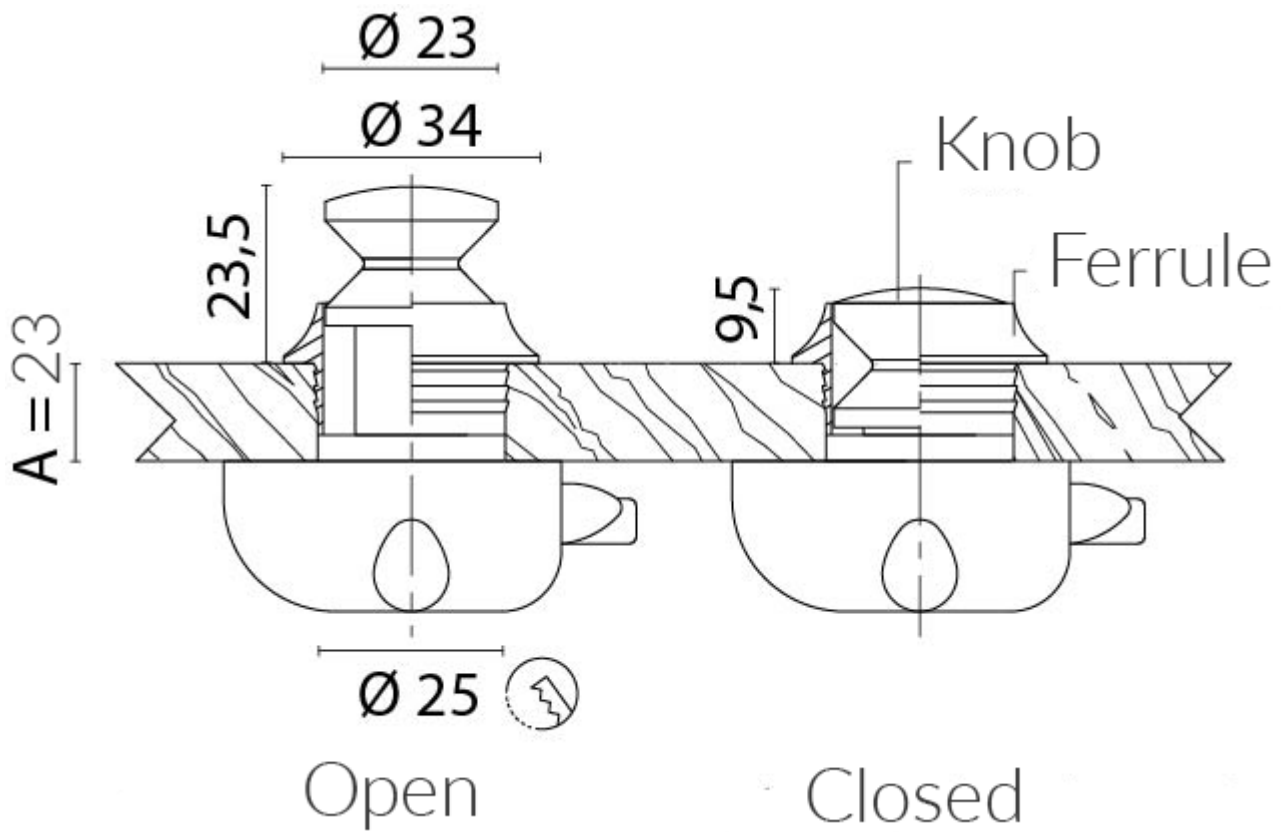
181B



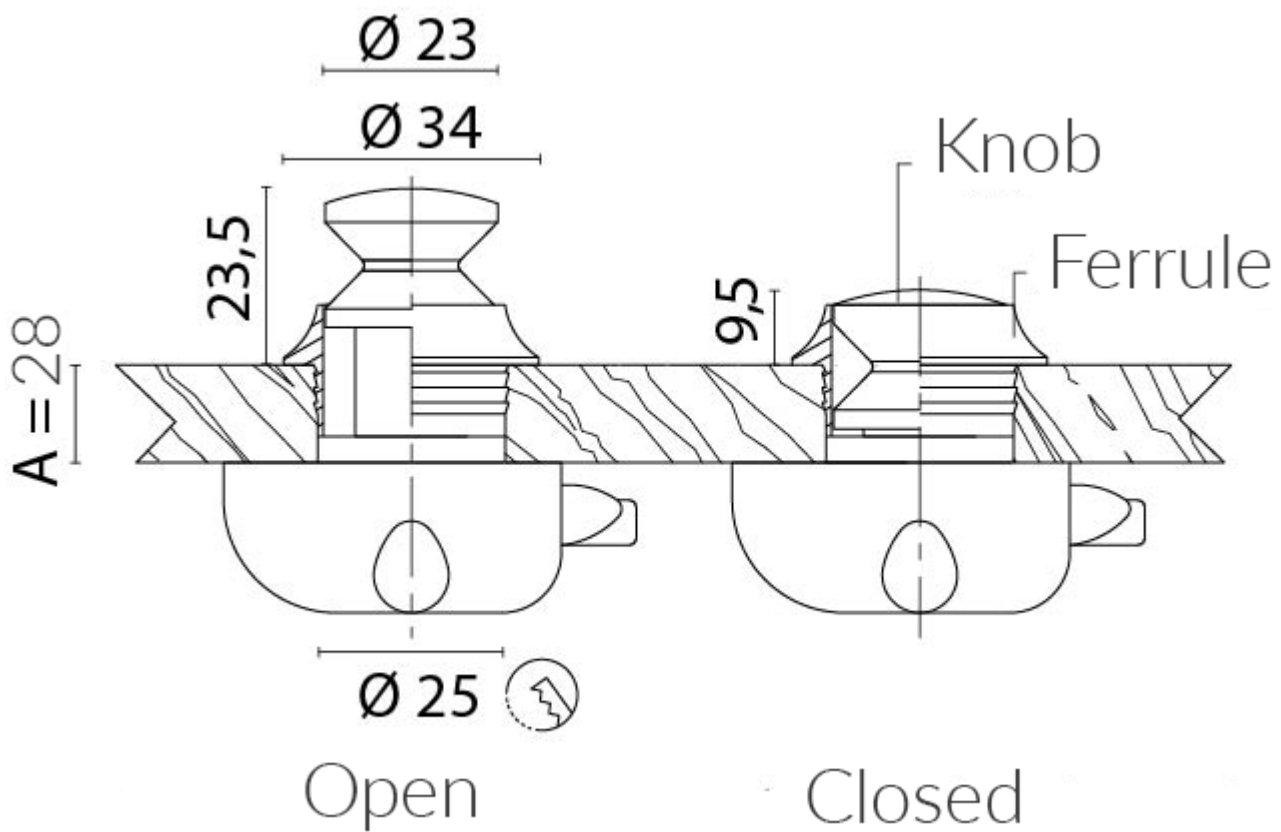
181C



181D



181E



Additional Information

Base Diameter (mm)	34
Protrusion (mm)	23.50
Handle Width (mm)	23.00 Ø
Manufacturer	Foresti & Suardi
Weight (kg)	0.060000

Product Options

Finish:	Chrome
	Brass
Size:	Max. Panel Thickness 13.00mm
	Max. Panel Thickness 16.00mm
	Max. Panel Thickness 19.00mm
	Max. Panel Thickness 23.00mm
	Max. Panel Thickness 28.00mm

