



Flush Hatchway Hinges

From
£31.72

Excl. Tax: **£26.43**

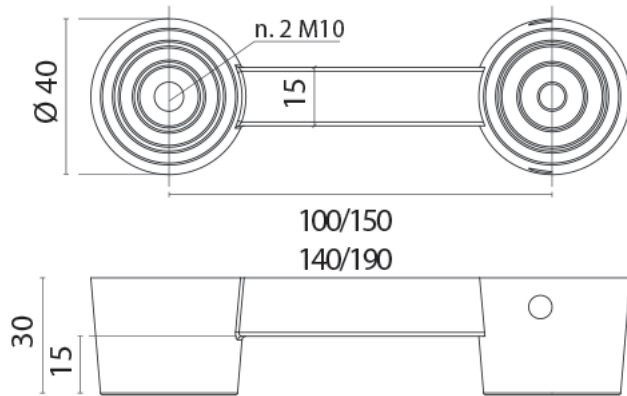
Product Images



Short Description

A pressure die cast brass flush hatchway hinge, available in two lengths in a polished brass or chrome plated finish. Fixing studs not supplied.

Description



Additional Information

Manufacturer	Foresti & Suardi
Weight (kg)	0.500000

Product Options

Finish:	Chrome
	Brass
Length (mm):	140
	190

