



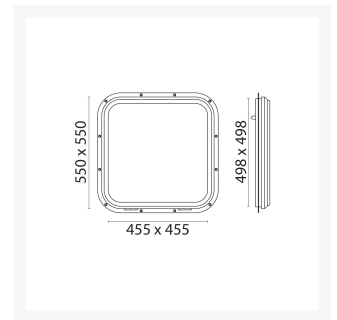
Square Deck Hatch

From

£867.84

Excl. Tax: **£723.20**

Product Images



Short Description

This solid brass deck hatch doubles as an escape hatch.

- Available in either a polished brass or chromed brass finish.
- CE marked, RINA approved, conforms to ISO 9094 and ISO 12216.
- Supplied with 10mm Plexiglass, tinted finish.
- Can be supplied with glass on request, a minimum order quantity may apply.

Please note, all images feature the chrome finish.

Additional Information

Overall Size (mm)	550.00 x 550.00
Cut-out (mm)	498.00 x 498.00
Glass Size (mm)	455.00 x 455.00
Specifications	Tinted Plexiglass
Manufacturer	Foresti & Suardi
Weight (kg)	9.560000

Product Options

Finish:	Chrome
	Brass

