



Manual Gas Assisted Table Pedestal

From

£3,221.72

Excl. Tax: £2,684.77

Product Images



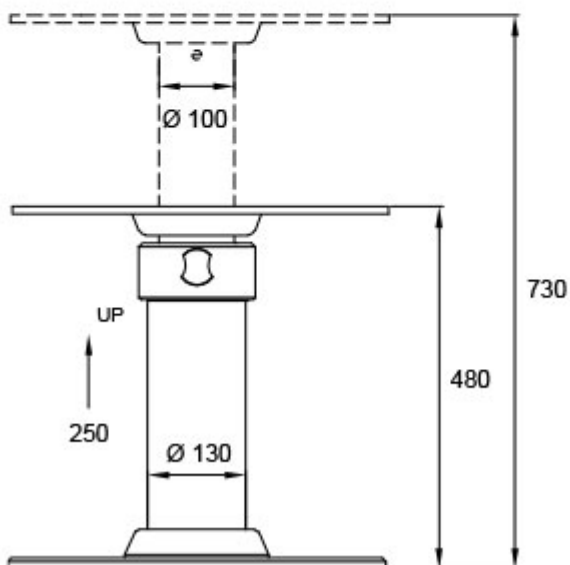
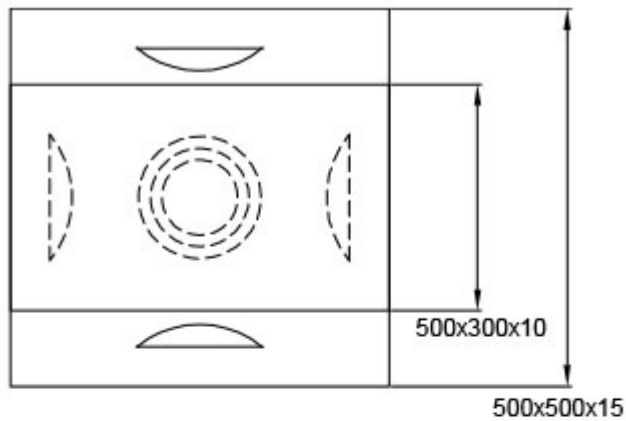
Short Description

A round two-stage pedestal with square base plate and rectangular top plate, made from aluminium and powder coated in matte black (nero) or white (9010) as standard.

- Manually height adjustable via thumbwheel, featuring 360° rotation.
- Gas assisted.
- 316-grade polished stainless steel inserts.

Description

Dimensions



Powder Coating Options



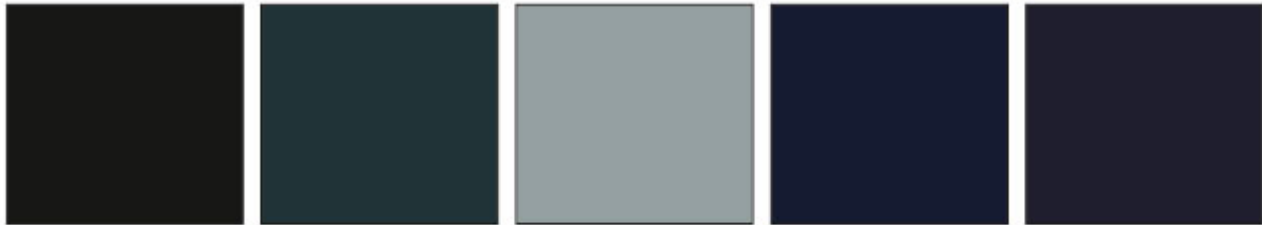
RAL 9010

RAL 9001

RAL 9016

RAL 9003

RAL 9013



NERO

RAL 7016

RAL 7040

RAL 5011

RAL 5004

MATTE BLACK (NERO) / WHITE (9010) ARE STANDARD OPTIONS, OTHER FINISHES MAY BE APPLICABLE TO A MINIMUM ORDER AND VARY IN LEAD TIME / PRICE)

Additional Information

Top Plate (mm)	500.00 x 300.00
Base (mm)	500.00 x 500.00
Max. Height (mm)	735.00
Min. Height (mm)	480.00
Max. Lifting Capacity (kg)	20
Max. Table Size (mm)	950.00 x 950.00
Manufacturer	Besenzoni
Weight (kg)	23.000000

Product Options

Finish:	White
	Black

