



Manual Gas Assisted Table Support With Telescopic Guides

From

£3,783.80

Excl. Tax: £3,153.17

Product Images



Short Description

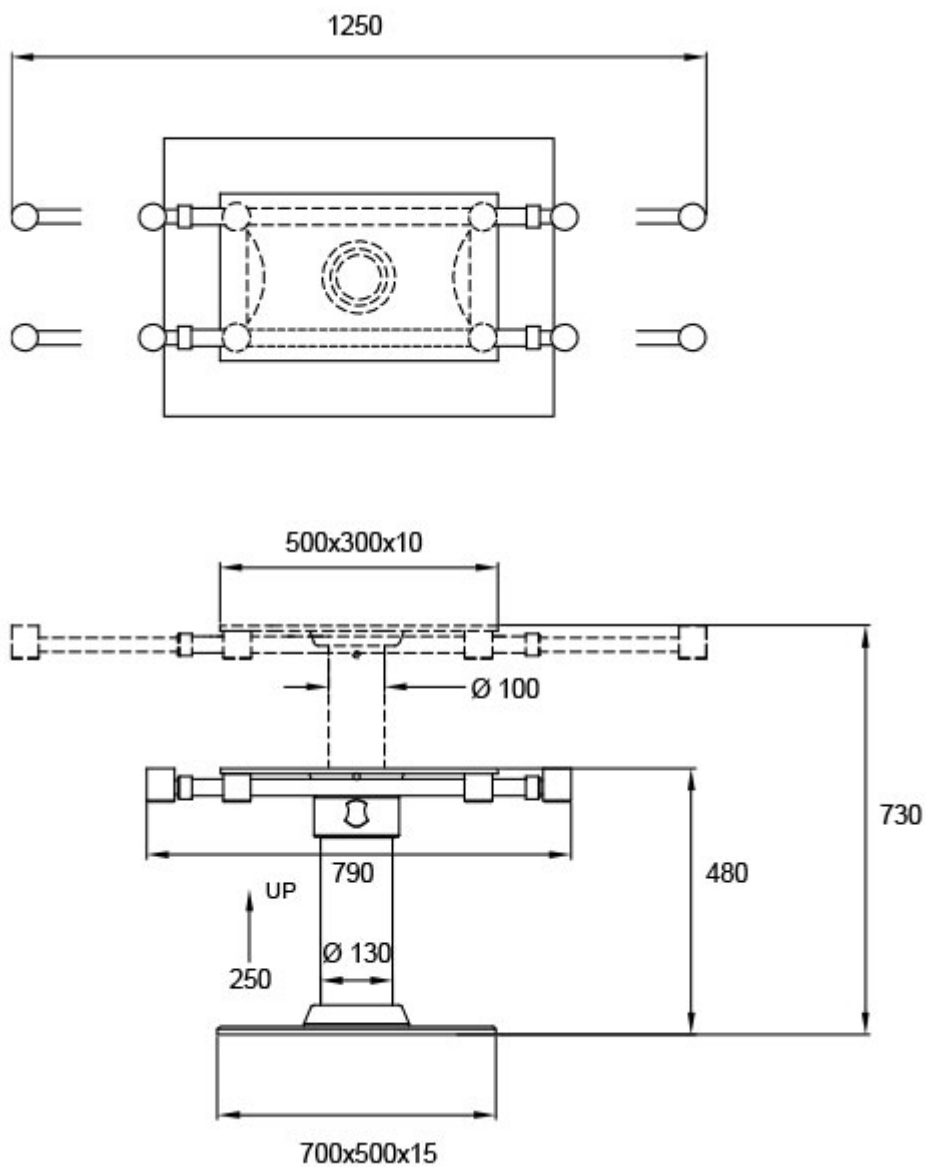
A round two-stage pedestal with rectangular base plate, made from aluminium and powder coated in matte black (nero) or white (9010) as standard.

- Manually adjustable telescopic table leaf supports.

- 360° rotation.
- Operated with thumb turn locking clamps.
- 316-grade stainless steel inserts.

Description

Dimensions



Powder Coating Options



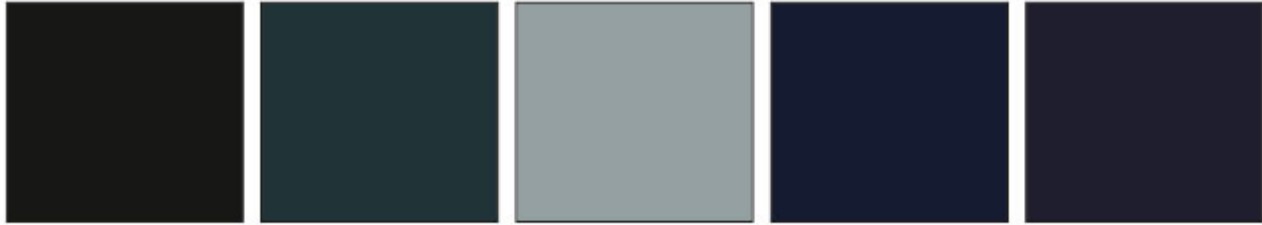
RAL 9010

RAL 9001

RAL 9016

RAL 9003

RAL 9013



NERO

RAL 7016

RAL 7040

RAL 5011

RAL 5004

MATTE BLACK (NERO) / WHITE (9010) ARE STANDARD OPTIONS, OTHER FINISHES MAY BE APPLICABLE TO A MINIMUM ORDER AND VARY IN LEAD TIME / PRICE)

Additional Information

Base (mm)	700.00 x 500.00
Fully extended (mm)	1250.00 x 350.00
Not Extended (mm)	790.00 x 350.00
Max. Height (mm)	735.00
Min. Height (mm)	480.00
Max. Lifting Capacity (kg)	20
Manufacturer	Besenzoni
Weight (kg)	28.000000

Product Options

Finish:	White
	Black

