

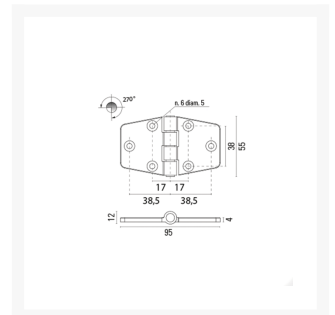


Double Tail Hinge

From
£14.45

Excl. Tax: £12.04

Product Images



Short Description

Pressure die cast brass hinge.

Available in either a polished brass or chromed brass finish.

Additional Information

Length (mm)	95
Width (mm)	55
Max. Opening	270°
Leaf Thickness (mm)	4
Hub Diameter (mm)	12
Manufacturer	Foresti & Suardi
Weight (kg)	0.120000

Product Options

Finish:	Chrome
	Brass

