



# Anti-Rattle Mortise Lock - Bathroom Privacy

From  
**£112.19**  
Excl. Tax: £93.49

## Product Images





## Short Description

---

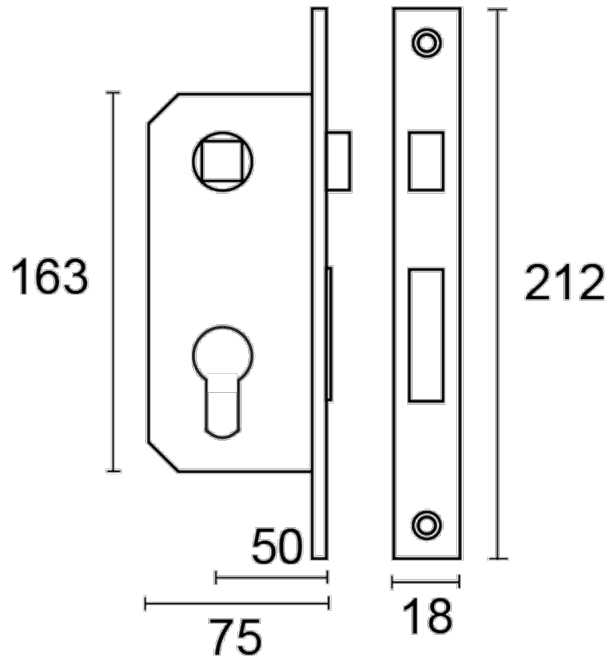
A marine-grade mortise door lock with anti-rattle feature. This door lock is designed to be used in conjunction with a bathroom privacy snib (sold separately).

This lock is available in brass or stainless steel and is supplied complete with a matching striker plate. The stainless steel models have a 304 grade lock casing and a 316 grade face plate (visible when installed). The lock is supplied either as a left or right hand lock and therefore it is important to identify the correct handing before purchase. Please refer to our lock handing diagram in order to help you.

The lock contains an internal handle righting spring which will help to return the door handle to a horizontal position after use. For heavy handles, it is recommended that an additional handle rose spring be used in conjunction with this latch.

## Description

---



## Additional Information

---

|                           |                   |
|---------------------------|-------------------|
| Keeper Length (mm)        | 180.00            |
| Keeper Width (mm)         | 22.00             |
| Keeper Tongue Length (mm) | 23.00             |
| Lock Type                 | Mortise Lock      |
| Spindle (mm)              | 8                 |
| Privacy Spindle (mm)      | 7.00              |
| Latch Length (mm)         | 75.00             |
| Latch Height (mm)         | 163.00            |
| Latch Width (mm)          | 12.00             |
| Lock Backset (mm)         | 50.00             |
| Face Plate Width (mm)     | 18.00             |
| Face Plate Length (mm)    | 212.00            |
| Manufacturer              | Razeto & Casareto |
| Weight (kg)               | 0.500000          |

## Product Options

---

|          |                     |
|----------|---------------------|
| Finish:  | Brass               |
|          | 304 Stainless Steel |
| Version: | Left Hand           |
|          | Right Hand          |

