



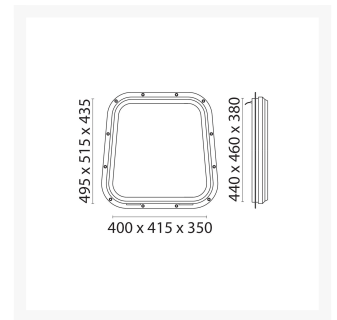
Trapezoid Deck Hatch

From

£817.46

Excl. Tax: **£681.22**

Product Images



Short Description

This solid brass deck hatch doubles as an escape hatch.

- Available in either a polished brass or chromed brass finish.
- CE marked, RINA approved, conforms to ISO 9094 and ISO 12216.
- Supplied with 6mm Plexiglass, available in a clear or tinted finish.
- Can be supplied with glass on request, a minimum order quantity may apply.

Please note, all images feature the chrome with clear Plexiglass combination.

Additional Information

Overall Size (mm)	495.00 x 515.00 x 435.00
Cut-out (mm)	440.00 x 460.00 x 380.00
Glass Size (mm)	400.00 x 415.00 x 350.00
Manufacturer	Foresti & Suardi
Weight (kg)	10.000000

Product Options

Finish:	Chrome
	Brass
Specifications:	Clear Plexiglass
	Tinted Plexiglass

