

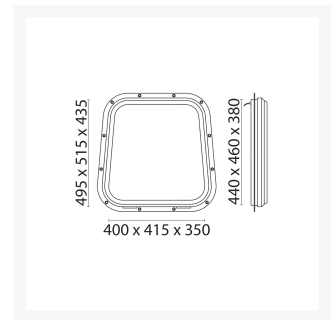


# Trapezoid Deck Hatch

From  
**£789.85**

Excl. Tax: **£658.21**

## Product Images



## Short Description

**This solid brass deck hatch doubles as an escape hatch.**

- Available in either a polished brass or chromed brass finish.
- CE marked, RINA approved, conforms to ISO 9094 and ISO 12216.
- Supplied with 10mm Plexiglass, tinted finish.
- Can be supplied with glass on request, a minimum order quantity may apply.

Please note, all images feature the chrome finish.

## Additional Information

---

Overall Size (mm)	495.00 x 515.00 x 435.00
Cut-out (mm)	440.00 x 460.00 x 380.00
Glass Size (mm)	400.00 x 415.00 x 350.00
Specifications	Tinted Plexiglass
Manufacturer	Foresti & Suardi
Weight (kg)	7.200000

## Product Options

---

Finish:	Chrome
	Brass

