



Rectangular Porthole

From

£519.46

Excl. Tax: £432.88

Product Images



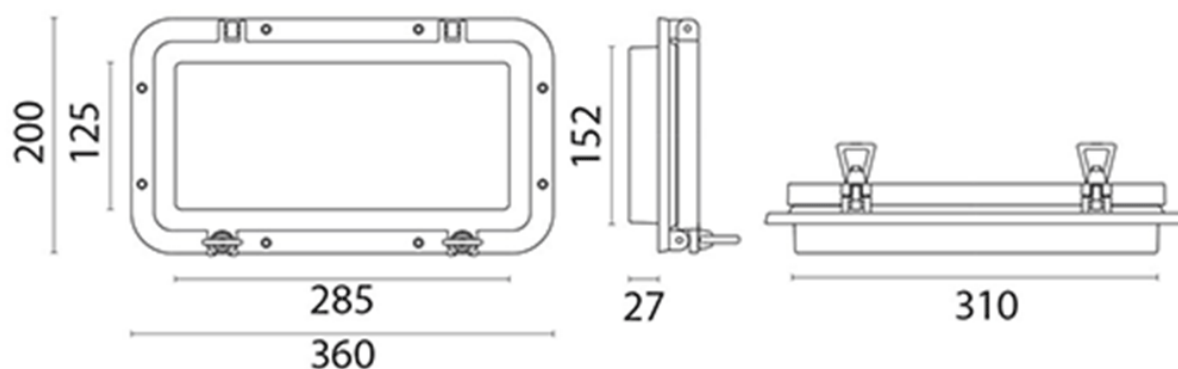
Short Description

Solid brass porthole.

- Available in either a polished brass or chromed brass finish.
- CE marked, RINA approved, conforms to ISO 12216.
- Supplied with 6mm clear Plexiglass as standard.
- Can be supplied with glass for decorative purposes on request, a minimum order quantity may apply.

Please note, all images feature the chrome finish.

Description



Additional Information

Length (mm)	360.00
Height (mm)	200.00
Glass Length (mm)	285
Glass Height (mm)	125
Spigot Length (mm)	310
Spigot Height (mm)	152.00 r=30
Spigot Depth (mm)	27.00
Exterior flange ring thickness (mm)	5
Specifications	Clear Plexiglass
Manufacturer	Foresti & Suardi
Weight (kg)	4.200000

Product Options

Finish:	Chrome
	Brass

