



# S38 Fast Lock Socket For Plug-in Accessories - Visible Fixings

From

**£256.87**

Excl. Tax: £214.06

## Product Images







## Short Description

---

316 stainless steel *Fast Lock* base socket for compatible plug-in accessories such as the S38 carbon fibre sun shade poles.

Innovative and patented design allows for rapid docking and removal of multiple accessories. No additional lid is needed as socket features a self-rising lid design.

- 316 grade stainless steel
- Spring loaded self-rising lid
- 0° straight or 6° inclined versions available
- Patented rapid docking and release system
- Features a drain connection on underside
- Compatible with Ø38mm tube accessories

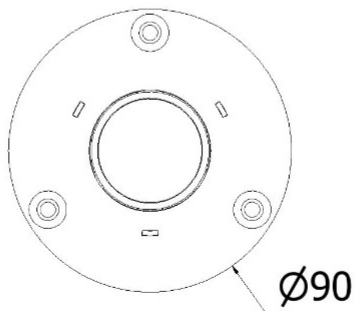
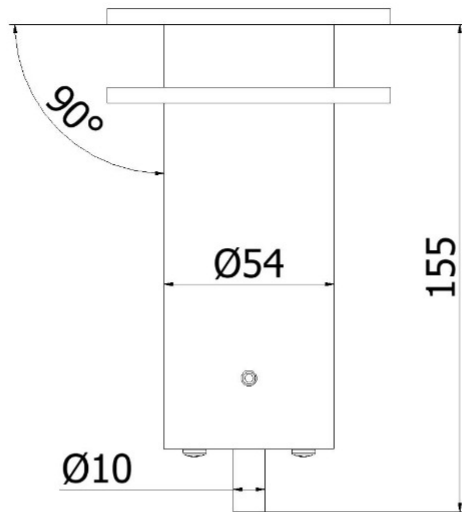
## Description

---

### Base Socket



The innovative patented socket features a self-rising lid design. No need to screw and unscrew a lid, just simply push the pole straight into the socket and release with a spring loaded button installed on the base of the docked accessory. The socket also features a drain, allowing any water that enters to be sent straight to bilge.



## Additional Information

---

Cut-out Size (mm)	Ø54.00
Weight (kg)	0.800000
Manufacturer	Nautinox
Finish	316 Stainless Steel
Base Depth	155.00
Base Diameter (mm)	90.00
Drain Diameter (mm)	10.00
Tube Diameter	38.00
Recess Diameter (mm)	54.00

## Product Options

---

Socket Type:	Straight Socket, Visible Fixings
	Inclined Socket 6°, Visible Fixings

