



# Mortise Lock - Privacy Function

**£47.46**

Excl. Tax: £39.55

## Product Images



## Short Description

---

This compact mortise door lock is constructed from brass and supplied in a chrome plated finish only.

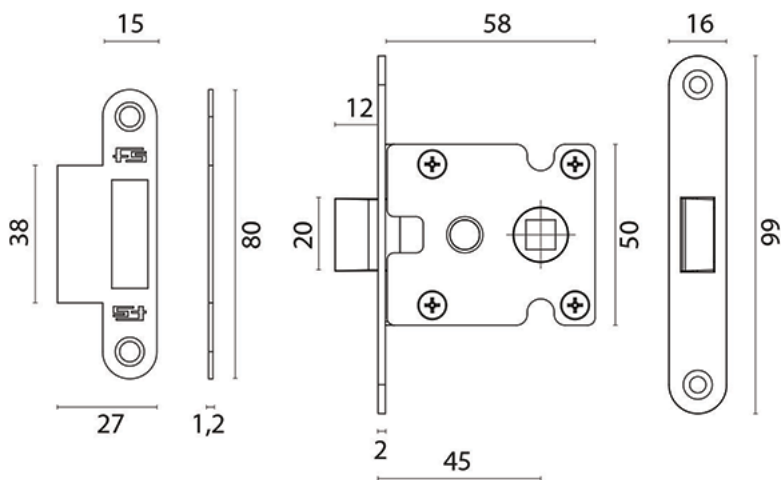
The lock is ideal for use as a simple latch but can also be used where a privacy function is required thanks to its pin activated handle block mechanism. In order to use this characteristic of the latch, we recommend viewing our door lock set collection where you will find more information on the other parts required. The lock forms part of the lockset for part numbers: [84100C](#) and [84200C](#).

The latch is supplied complete with a matching striker plate. The latch also has a universal door handing design and can simply be inverted for left or right handed doors.

The lock contains an internal handle righting spring which will help to return the door handle to a horizontal position after use. For very heavy handles, it is recommended that an additional handle rose spring be used in conjunction with this latch.

## Description

---



## Additional Information

---

Keeper Length (mm)	80.00
Keeper Width (mm)	15.00
Keeper Tongue Length (mm)	27.00
Lock Type	Mortise Lock
Spindle (mm)	8
Latch Length (mm)	58.00
Latch Height (mm)	50.00
Face Plate Width (mm)	16.00
Face Plate Length (mm)	99.00
Finish	Chrome
Manufacturer	Foresti & Suardi
Weight (kg)	0.250000

