



Sphaera 50 Stainless Steel Fender Profile - No Base

£77.24

Excl. Tax: **£64.37**

Product Images



Short Description

Sphaera is an innovative stainless steel profile with a Duralene® core. This particular design ensures that the profile cleanly follows the shape of the hull. The patented product design prevents deformation and allows it to be bent around difficult angles with minimal effort. Simple bends are easily achievable upon installation, for complex bends the profile will need to be bent away from the hull. Manufacturer boat kits can be supplied with elements pre-bent.

Sphaera has a range of matching end caps and other accessories.

The product is sold and priced per metre and is delivered in 3 metre lengths (UK only, 2 metre lengths for international deliveries). The profile is supplied pre-drilled at 200mm hole centres.

Description

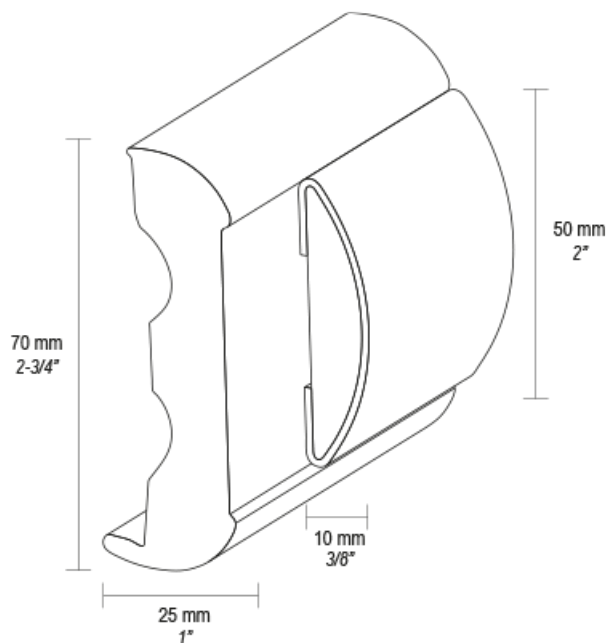
Selling Information

- The Sphaera profile is constructed from two elements, a polished 316 grade stainless steel profile wrapped around a Duralene® centre. The profile is supplied as standard in 3 metre lengths for UK customers (2m for international deliveries) and is pre-drilled at 200mm hole centres.
- For repeat trade orders, the profile can be customised for efficiency and kitting. Custom lengths, undrilled sections or pre-bent elements can all be supplied for fast and simple fitting.

Materials

- **Stainless Steel 316L:** Aisi S/S 316L
- **Core** bar made from 100% Duralene®

Drawing



Drawing above of Sphaera 50 with PVC base.

Installation

Please carefully consult the installation guide found in the downloads section of this page for more

information regarding the installation of Sphaera. It is important that the product is installed according to the manufacturer's guidelines to ensure the correct performance of the profile.

Additional Information

Minimum Bending Radius (mm)	30.00
Material	AISI 316 Stainless Steel
Finish	316 Stainless Steel
Weight (kg)	1.180000
Manufacturer	Tessilmare

