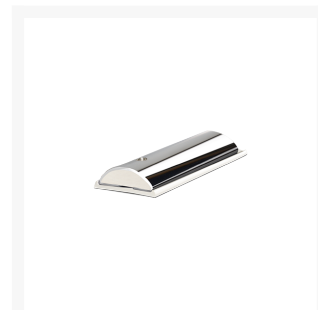




Sphaera 35 Stainless Steel Fender Profile - Slim Base

From
£64.75
Excl. Tax: £53.96

Product Images





Standard slim PVC base pictured



Short Description

Sphaera is an innovative stainless steel profile with a Duralene® core. This particular design ensures that the profile cleanly follows the shape of the hull. The patented product design prevents deformation and allows it to be bent around difficult angles with minimal effort. Simple bends are easily achievable upon installation, for complex bends the profile will need to be bent away from the hull. Manufacturer boat kits can be supplied with elements pre-bent.

This particular version of Sphaera 35 is sold complete with a slim PVC base which can be specified in either white, grey or black finish. The slim PVC base acts as gasket and offers a cushioning between the stainless steel profile and the deck surface. The slim PVC base is also available with a lip to the lower edge. This is ideal for use when installing on a hull and deck joint. The lip neatly tucks underneath the deck moulding overhang, offering a faultless finish and making the joining of the hull and deck a dry process, avoiding the expense and mess of using wet sealing compounds.

Sphaera has a range of matching end caps and other accessories.

The profile is sold and priced per metre and is delivered in 3 metre lengths (UK only, 2 metre lengths for international deliveries). The profile is supplied pre-drilled at 200mm hole centres. The PVC base track is sold in one continuous length according to the customer's requirement.

Description

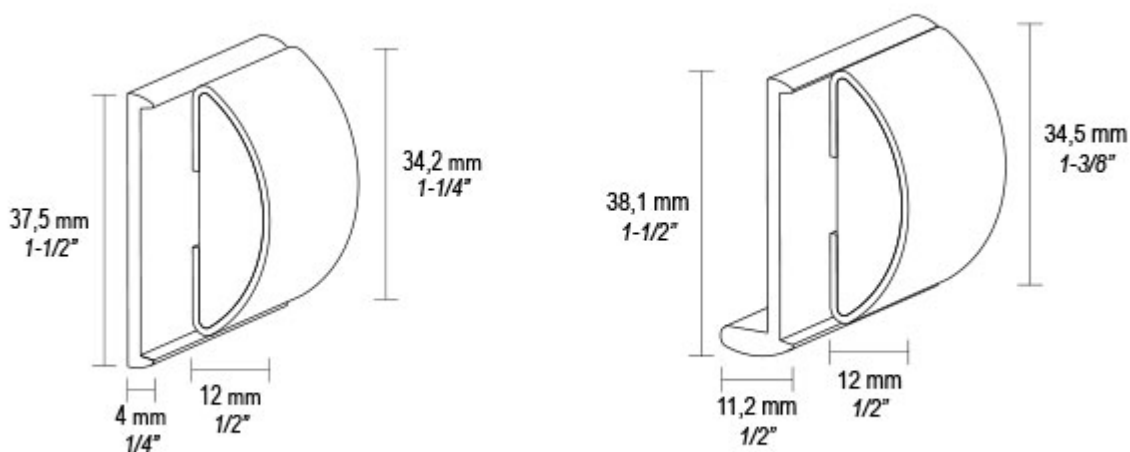
Selling Information

- The Sphaera profile is constructed from two elements, a polished 316 grade stainless steel profile wrapped around a Duralene® centre. In addition to the stainless steel profile, this particular model of Sphaera is sold complete with a slim PVC base. The profile is supplied as standard in 3 metre lengths for UK customers (2m for international deliveries) and is pre-drilled at 200mm hole centres. The PVC base is sold in one continuous length to the specified length for the project up to a maximum of 300m. **Please note that there is a minimum order quantity of 24 metres for this product.**
- For repeat trade orders, the profile can be customised for efficiency and kitting. Custom lengths, undrilled sections or pre-bent elements can all be supplied for fast and simple fitting.
- The PVC base is also available in a version with a lip, ideal for use when installing on a hull and deck joint. The lip neatly tucks underneath the deck moulding overhang, offering a faultless finish and making the joining of the hull and deck a dry process, avoiding the expense and mess of using wet sealing compounds.

Materials

- **Stainless Steel 316L:** Aisi S/S 316L
- **Core** bar made from 100% Duralene®
- **Base** made from PVC and available in white, grey or black

Drawing



Installation

Please carefully consult the installation guide found in the product attachments section of this page for more information regarding the installation of Sphaera. It is important that the product is installed according to the manufacturer's guidelines to ensure the correct performance of the profile.

Additional Information

Minimum Bending Radius (mm)	75.00
Material	AISI 316 Stainless Steel
Weight (kg)	1.000000
Manufacturer	Tessilmare

Product Options

Finish:	Stainless Steel & Black PVC
	Stainless Steel & Grey PVC
	Stainless Steel & White PVC
Version:	Slim Base
	Slim Base with Lip

