



Flatwash Slimline Exterior Shower

From
£210.92
Excl. Tax: £175.77

Product Images





Short Description

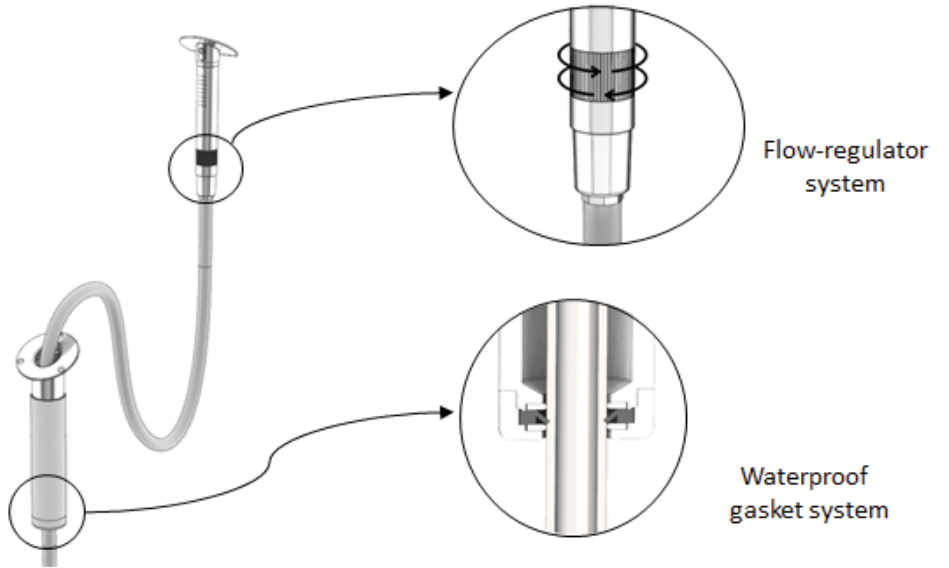
Flatwash is a pull-out hand shower for exterior use. The product is made entirely from brass and is supplied in a chrome plated finish. The innovative slim line design helps the shower seamlessly blend into the installation surface. The integrated flow regulator (4197A only) features a ceramic cartridge system which ensures long lasting performance and a smooth operation.

The shower can be installed on vertical and horizontal surfaces. Thanks to the product's clever gasket system, the shower prevents water from running down the hose and into and behind the installation location.

A matching [shower mixer](#) and attractive [installation plate](#) are available as accessories.

- Chrome plated brass exterior shower
- Two versions available, with or without flow regulator. Select the version with integrated flow regulator when installing the shower as a cold water only product. This way, the shower can be controlled entirely from the head without the need for a separate valve
- Innovative gasket system prevents water ingress via hose
- Horizontal or vertical fixing

Description



Additional Information

Cut-out Diameter (mm)	38.00
Wall Mounted	No
Depth (mm)	Min. 300mm Required
Diameter (mm)	70.00
Tube Length (mm)	2500.00
Hose Connection	3/8" BSP Male
Weight (kg)	1.500000
Manufacturer	Foresti & Suardi
Finish	Chrome

Product Options

Version:	With Flow Control
	Without Flow Control

