



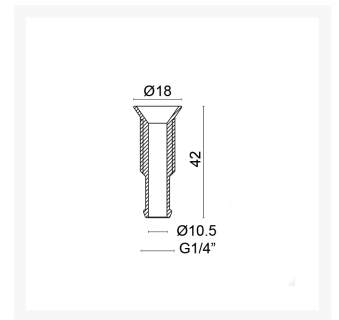
Recessed Drain Fitting

From

£7.44

Excl. Tax: **£6.20**

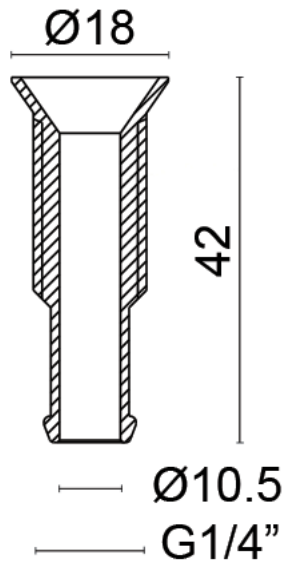
Product Images



Short Description

A pressure die cast brass recessed drain fitting, available in brass and a chrome plated brass finish.

Description



Additional Information

Length (mm)	42.00
Diameter (mm)	18.00
Manufacturer	Foresti & Suardi
Weight (kg)	0.030000

Product Options

Finish:	Chrome
	Brass

