

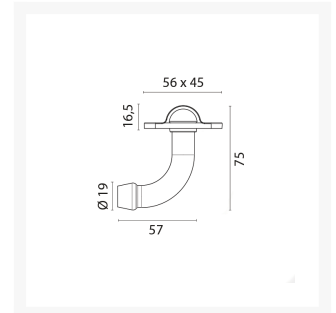


Tank Air Vent - 90° Angle

From
£15.72

Excl. Tax: £13.10

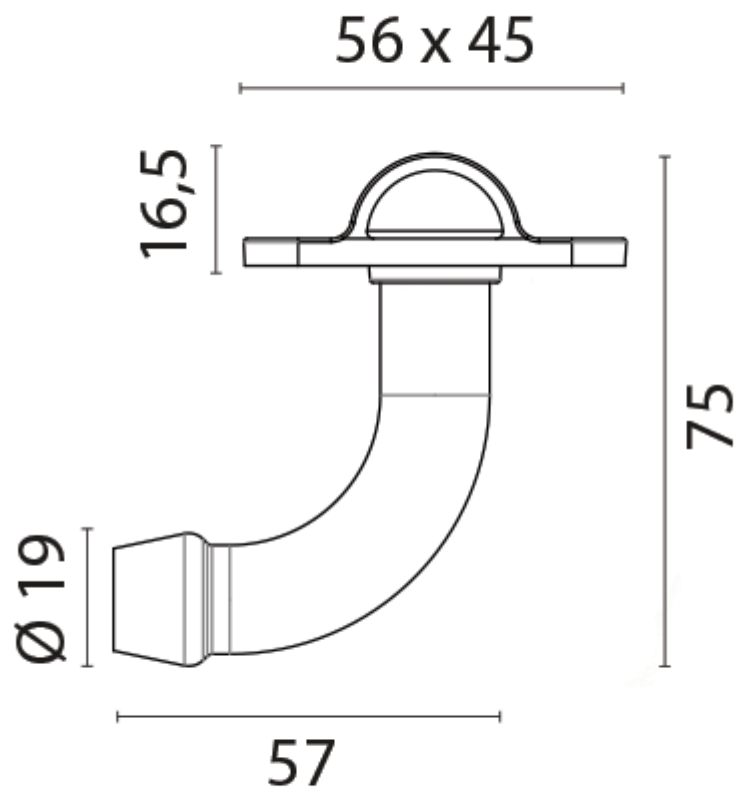
Product Images



Short Description

A pressure die cast brass tank air vent with anti-flame gauze. This product is supplied in a chrome plated finish and features a $\text{\O}19\text{mm}$ hose connection set at a 90° angle. There is both a right hand and left hand version of this product.

Description



Additional Information

Weight (kg)	0.200000
Manufacturer	Foresti & Suardi
Finish	Chrome
Hose Connection	Ø19mm

Product Options

Handing:

Left

Right

