



Door Handle

£194.69

Excl. Tax: £162.24

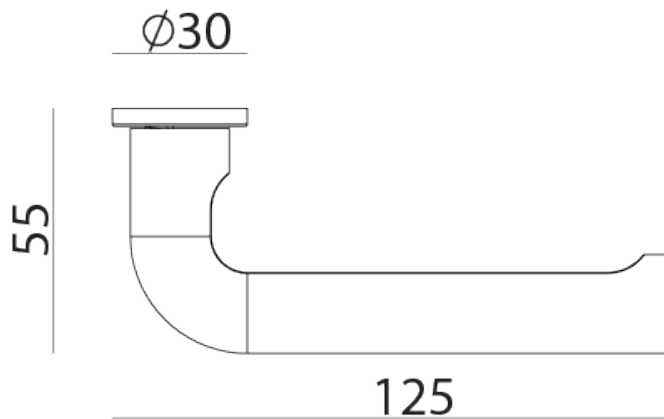
Product Images



Short Description

With an elegant and simple form, this door handle is as good to hold as it is to look at. The minimal door handle rose sets this product apart from other handles on the market and offers a very clean and minimalist aesthetic on any door. The door handle is made from solid brass and is offered in a chrome plated finish as standard. Other finishes are available on request but are subject to minimum order quantities.

Description



Additional Information

Length (mm)	120.00 (handle)
Spindle (mm)	8
Finish	Chrome
Manufacturer	Foresti & Suardi
Weight (kg)	1.150000

