



Domed Head Skin Fitting

From
£6.06
Excl. Tax: £5.05

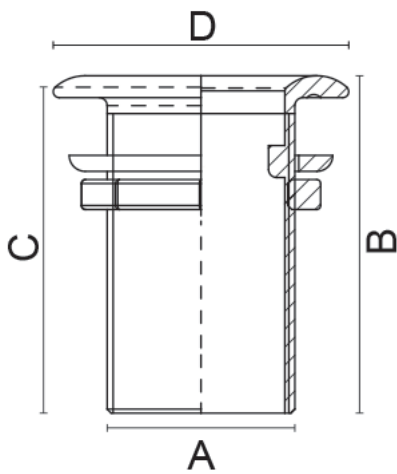
Product Images



Short Description

A pressure die cast brass domed head skin fitting. Available in a large number of dimensions and sizes in a polished brass or chrome plated finish.

Description



| Product Code | A (BSP) | B | C | D |
|--------------|---------|-----|-----|-----|
| 600C | 3/8" | 55 | 50 | 35 |
| 600D | 1/2" | 65 | 60 | 40 |
| 600E | 3/4" | 70 | 64 | 48 |
| 600F | 1" | 75 | 70 | 55 |
| 600G | 1 1/4" | 85 | 80 | 65 |
| 600H | 1 1/2" | 85 | 80 | 70 |
| 600I | 2" | 100 | 92 | 83 |
| 600L | 2 1/2" | 130 | 123 | 112 |
| 600M | 3" | 148 | 139 | 126 |

Additional Information

| | |
|--------------|------------------|
| Manufacturer | Foresti & Suardi |
| Weight (kg) | 0.080000 |

Product Options

| | |
|------------------|------------|
| Hose Connection: | 3/8" BSP |
| | 1/2" BSP |
| | 3/4" BSP |
| | 1" BSP |
| | 1 1/4" BSP |
| | 1 1/2" BSP |
| | 2" BSP |
| | 2 1/2" BSP |
| | 3" BSP |
| Finish: | Chrome |
| | Brass |

