



# Leather Handle Pull Latch

From  
**£65.80**

Excl. Tax: £54.83

## Product Images





## Short Description

---

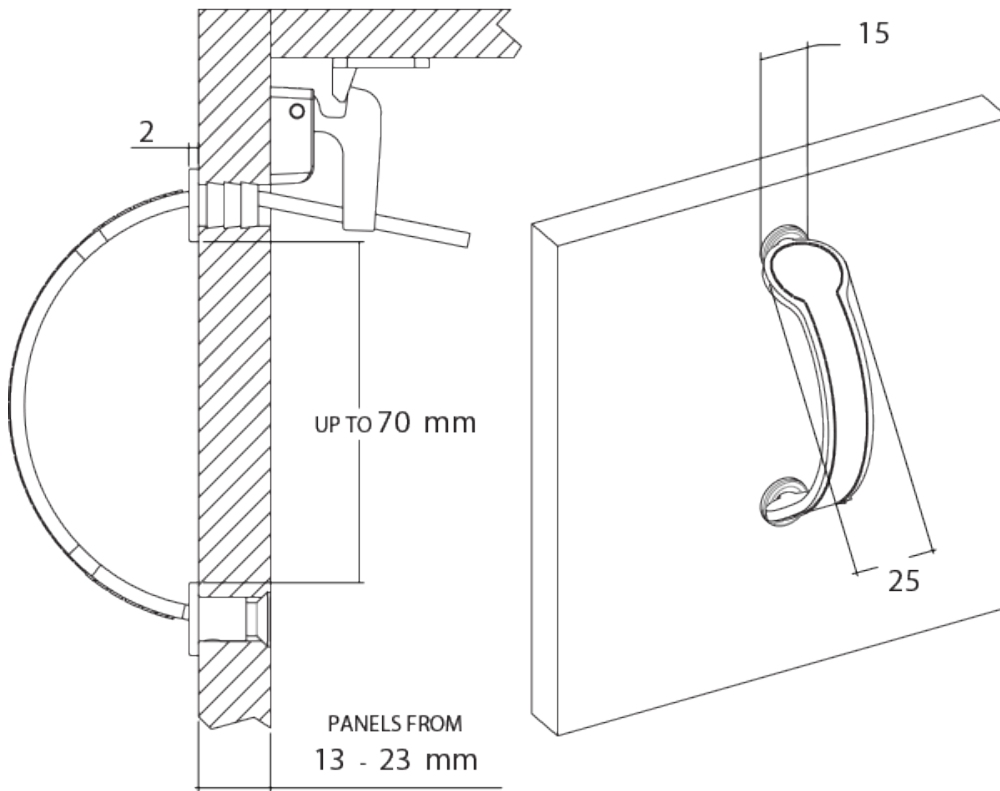
This elegantly designed leather handle incorporates a positive latching mechanism on the inside of the cupboard or drawer front. By simply pulling on the handle, the latch is disengaged, allowing the cupboard or drawer to be opened with no need for an additional handle.

The leather handle can be selected in one of four standard colours which suit a large range of interior styles. On request, customer supplied leather can be used but it must meet the required specification to be able to be used on the handle and minimum quantities may apply.

The flexible and soft nature of the latch handle means that it is suitable for installation in high traffic or small space areas where protruding knobs or handles would catch on passing clothing.

## Description

---



## Additional Information

Max. Panel Thickness (mm)	23.00
Manufacturer	Foresti & Suardi
Weight (kg)	0.160000

## Product Options

Finish:	Chrome With Black Leather
	Chrome With Brown Leather
	Chrome With Tan Leather
	Chrome With White Leather

