



Bino 40 PVC Fender Profile

From
£17.58

Excl. Tax: £14.65

Product Images





Short Description

Bino 40 Fender profile is a strong but highly flexible fender profile solution. With no stainless steel fixing bars involved in the assembly, Bino 40 can be bent on three axes and can follow complex curves and shapes. Bino 40 is perfect for all marine environments from small boats and sailing boats to docks, wharves and trailers.

The profile comes manufactured in two separate pieces. It has a soft and flexible base section that can be drilled directly onto the boat, and fixed with either screws or rivets. The top piece then covers the screws or rivets, leaving a clean finish with no visible fixings. No joins are necessary, Bino 40 can be ordered in the exact length you require up to 300 metres, ensuring that the entire installation can be carried out with a single continuous piece.

The Bino 40mm Rub Rail is made from high-quality PVC, perfect for all marine environments. It will not discolour or fade over time from either sunlight exposure or from water damage. It is also extremely durable, with a high-resistance to abrasion and cutting. Bino 40 Rub Rail is also non-marking. End caps are available to complete your installation.

Description

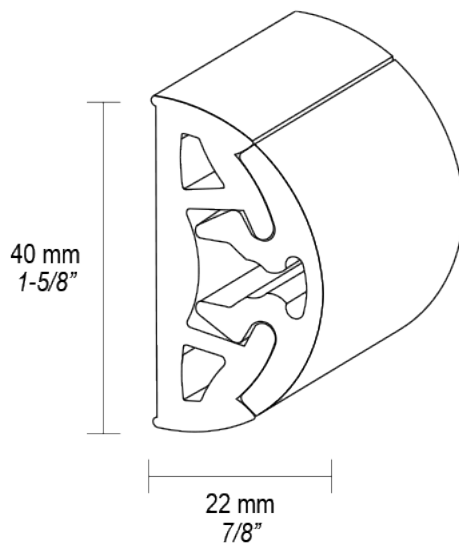
Selling Information

- The Bino Rub Rail comes manufactured in two separate pieces and is sold by the metre. It is produced in custom made sizes or continuous rolls to suit all projects. A maximum roll length of 300 metres can be produced. **Please note that there is a minimum order quantity of 24 metres for this product.**
- Available in three colors: white, black or grey

Materials

- PVC for marine application Shore 83 available in black – white- grey

Drawing



Installation

Please carefully consult the installation guide found in the downloads section of this page for more information regarding the installation of Bino. It is important that the product is installed according to the manufacturer's guidelines to ensure the correct performance of the profile.



Additional Information

Minimum Bending Radius (mm)	45.00
Radius (mm)	22.00 / 24.00
Material	PVC
Weight (kg)	0.850000
Manufacturer	Tessilmare

Product Options

Finish:	White
	Grey
	Black

